

# ER SERIES REDUCTOR

## I、Characteristics:

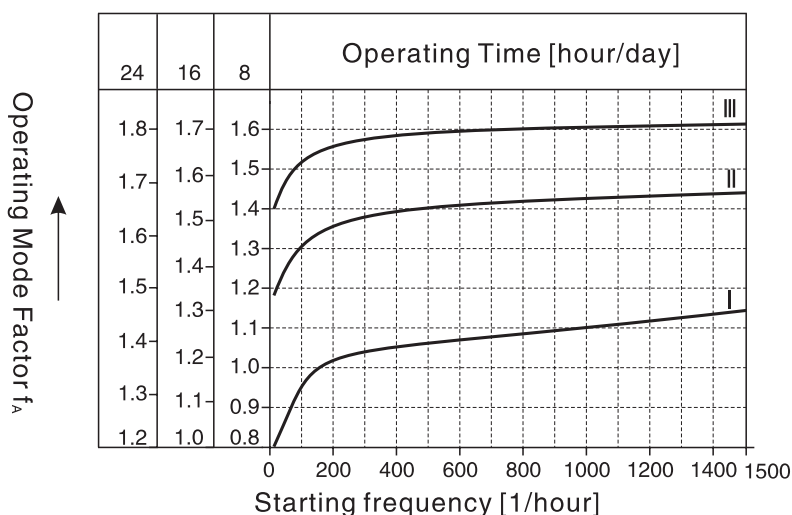
1. **Our** reducers are based on the building block design, so it's convenient for them to fit all types of motors or to connect with other power input. The same type of reducers can fit motors with different power, so that it's possible for different types of machines to combine or connect.
2. High transmission efficiency. A single machine can reach a transmission efficiency as much as 96%.
3. Precise division of transmission ratio with a wide range. The combination of machines can produce a larger transmission ratio at a low output rotational speed.
4. Various ways of installation. Horizontal installation at any position or flanged installation.

## II、Working Environment:

1. Working temperature:  $-40^{\circ}\text{C}\sim 50^{\circ}\text{C}$  (The lubrication should be heated until above  $0^{\circ}\text{C}$  if the machine works Below  $0^{\circ}\text{C}$ .)
2. The working place should be lower than 1,000 meters above sea level.
3. The input rotational speed should not exceed 1,800r/m. The circumferential speed of the gear should not exceed **22**m/s.
4. Suitable for normal–reverse rotation.
5. Without industry limitation.
6. Please consult our technical supporting department for other circumstances.

## III、Instructions for Selection:

The daily operating time, the starting frequency and the load classifications be determined before deciding the service factor. The load classifications is calculated with the following formula:



### Load classification

- Uniform load, mass acceleration factor  $\leq 0.2$
- Medium Impact Load, mass acceleration factor  $\leq 3$
- Heavy shock Load, mass acceleration factor  $\leq 10$

# ER SERIES REDUCTOR

Please contact our technical supporting department in case the mass acceleration factor > 10.

$$\text{Mass acceleration factor} = \frac{\text{All external mass moments of Inertia}}{\text{Mass moment of inertia on the motor end}}$$

The actual operating mode factor ( $f_A$ ) should meet the following formula:

$$\text{service factor } f_B \geq \text{operating mode factor } f_A$$

The service factor  $f_B$  is listed in the parameter selection list.

The permitted overhung loads and the axial forces.

Please contact our technical supporting department for the information on the permitted overhung loads and the axial forces at the output end of the shaft.

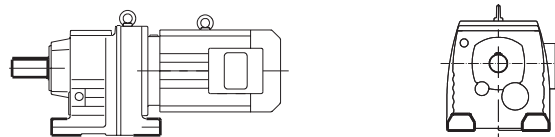
Regarding the use and maintenance of the reductor, please refer to the attached Instruction Manual of the Reductor and the Variable Speed Motor.

# ER SERIES REDUCTOR

## IV、Mounting type:

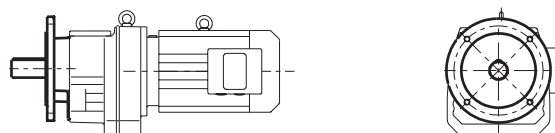
1. Model ER..7

Three-stage or two-stage foot-mounted helical gear reductor



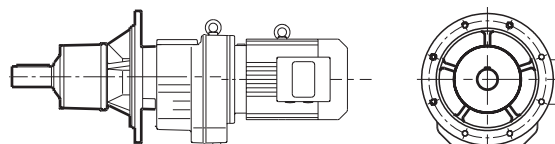
2. Model ERF..7

Three-stage or two-stage flange-mounted helical gear reductor



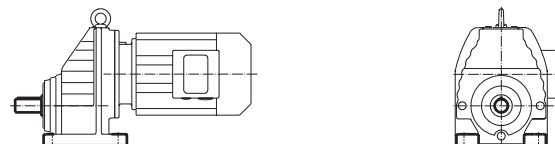
3. Model ERM..7

Three-stage or two-stage flange-mounted helical gear reductor with extended bearing hub



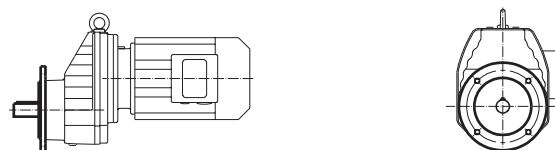
4. Model R..1

Single-stage foot-mounted helical gear reductor



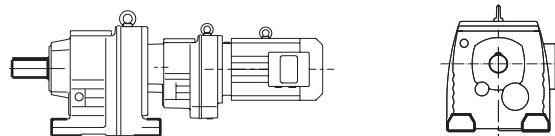
5. Model RF..1

Single-stage flange-mounted helical gear reductor



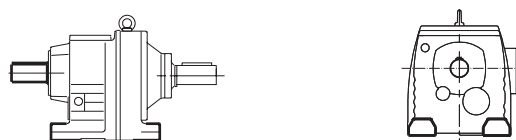
6. Model ER..7 ER..7

Combination of two Model ER..7 reducers



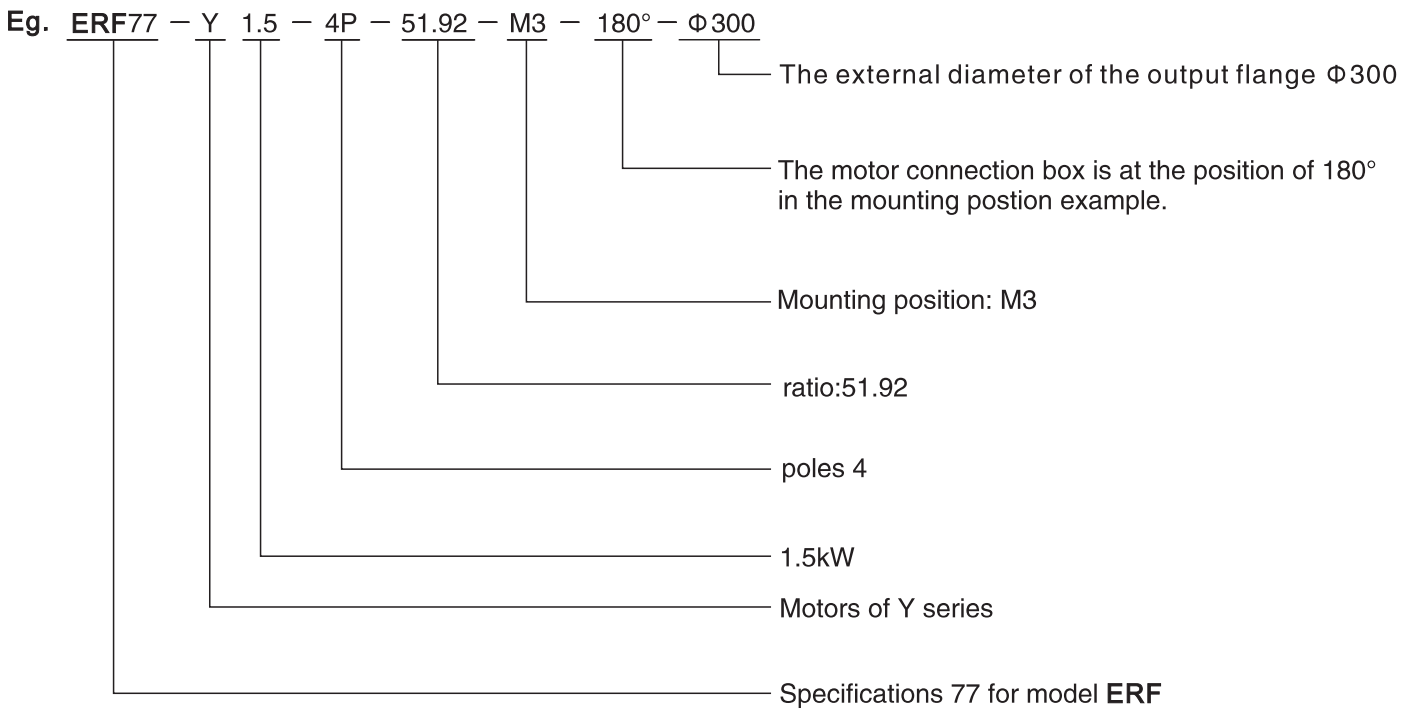
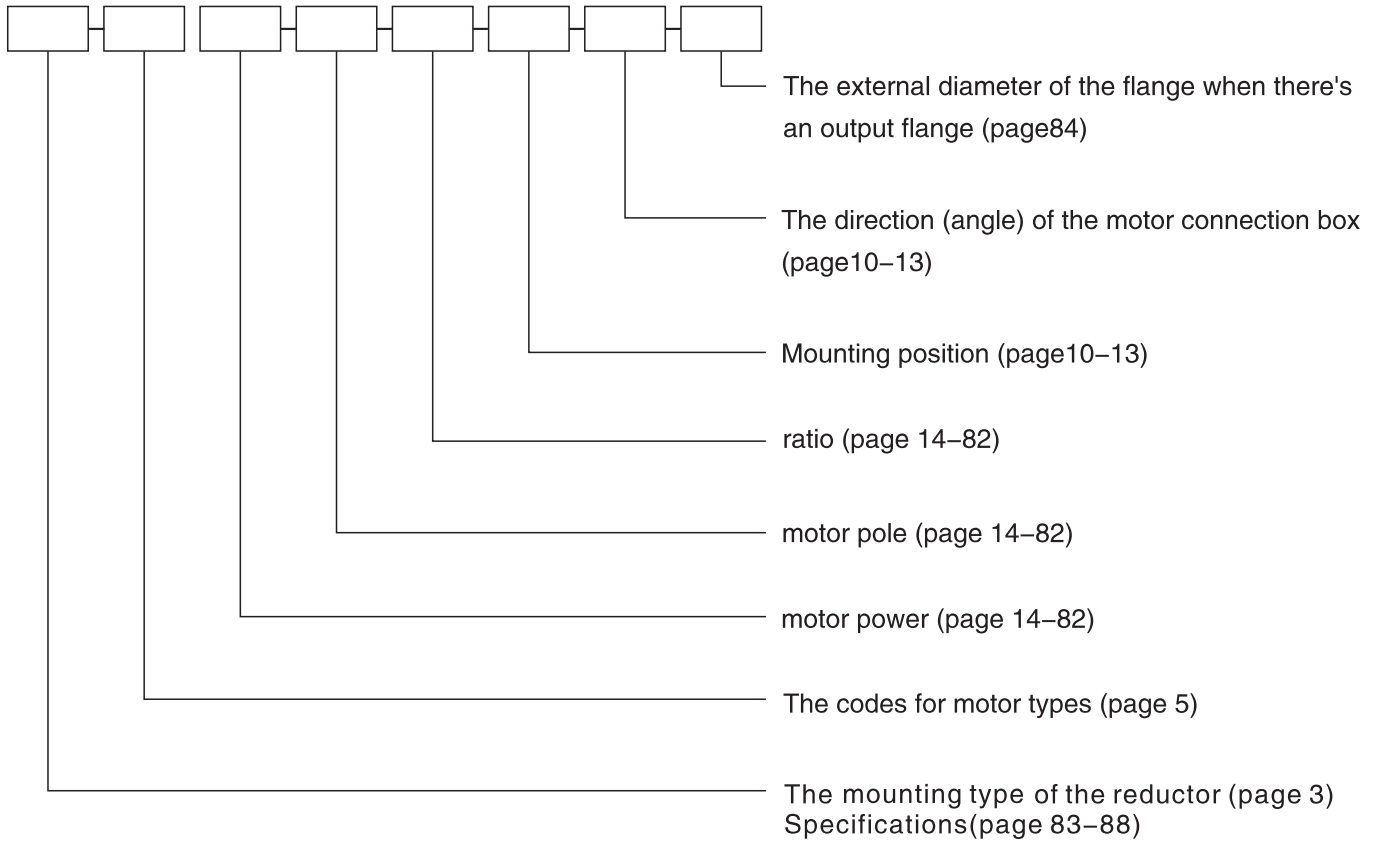
7. Model ER..S..7, R..S..1

Input-shaft style, in another word, helical gear reductor equipped with input shaft but without the motor



# ER SERIES REDUCTOR

## V、Instructions for Models:



# ER SERIES REDUCTOR

- Note:1. The input–shaft style is not equipped with any motor
2. Motors of Y series are supplied with protection grade of IP54 unless otherwise specified.
  3. The mounting position of M1 as shown in the mounting position example (Page 10–13) is the default way when supplying unless otherwise specified.
  4. 0° as shown in the mounting position example (Page 10–13) is the default connection box angle when supplying unless otherwise specified.
  5. If there's an output flange, the small flange as shown in the Physical Dimension Illustration ( Page 84) will be supplied unless otherwise specified.
  6. Please contact our technical supporting department in case there's any special requirements on the output and input rotatory directions.

## VI、 Codes for Motor Types:

Y series	Y	Flameproof Motor	YB	Direct Current Motor	Z
Brake Motor	YEJ	Roll Motor	YG	Variable Frequency Motor	YVP

## VII、 Length of Contact Flange L2

1. The form on length of the contact flange L2 of the helical gear reductor of ER..7 series

Reducer type \ Motor frame size	Motor frame size														
	63	71	80	90	100	112	132	160	180	200	225	250	280	315	
ER.17	56	56	56	56	56	—	—	—	—	—	—	—	—	—	
ER.27	56	56	56	56	56	—	—	—	—	—	—	—	—	—	
ER.37	56	56	56	56	56	—	—	—	—	—	—	—	—	—	
ER.47	56	57	72	72	68	68	90	—	—	—	—	—	—	—	
ER.57	56	57	72	72	68	68	90	—	—	—	—	—	—	—	
ER.67	56	57	72	72	68	68	90	—	—	—	—	—	—	—	
ER.77	56	57	68	68	68	68	90	129	—	—	—	—	—	—	
ER.87	—	—	62	62	74	74	83	119	119	—	—	—	—	—	
ER.97	—	—	—	50	50	50	70	113	113	123	—	—	—	—	
ER.107	—	—	—	—	55	55	76	112	112	130	151	—	—	—	
ER.137	—	—	—	—	—	—	78	112	112	131	151	120	—	—	
ER.147	—	—	—	—	—	—	78	112	112	130	135	139	139	—	
ER.167	—	—	—	—	—	—	—	100	100	111	116	120	120	170	

# ER SERIES REDUCTOR

2. The form on length of the contact flange L2 of the helical gear reductor of R..1 series

Motor frame size \ Reducer type	63	71	80	90	100	112	132	160	180	200	225
R.41	56	57	72	72	68	68	90	—	—	—	—
R.61	56	57	72	72	68	68	90	—	—	—	—
R.71	—	57	68	64	64	65	68	94	—	—	—
R.81	—	—	—	62	62	74	83	95	95	—	—
R.91	—	—	—	—	—	—	70	113	113	108	—
R.101	—	—	—	—	—	—	77	112	112	105	121

## VIII. Explanation of mounting position example



## IX. Explanation of Parameter Selection List

Power (kW)	Output speed (r/min)	Output torque (N · m)	Ratio (i)	Service factor (fB)	Type	Motor pole	Weight (kg)
<b>0.75</b>	20	350	67.93	★ 0.81	ER47	4P	20
	22	329	63.77	★ 0.87	ERF47	4P	20
	23	309	59.99	0.92			
	25	291	56.54	0.98			

1. ★ indicates that the reductor with this transmission ratio cannot connect the motor directly, in another word, the length of the contact flange L2 is necessary.

2. The machine types in the parameter selection list can match any transmission ratio in the column.

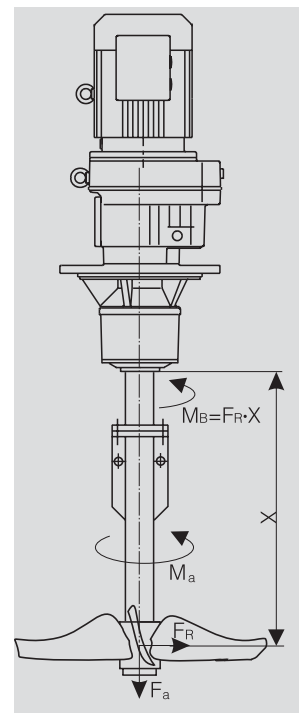
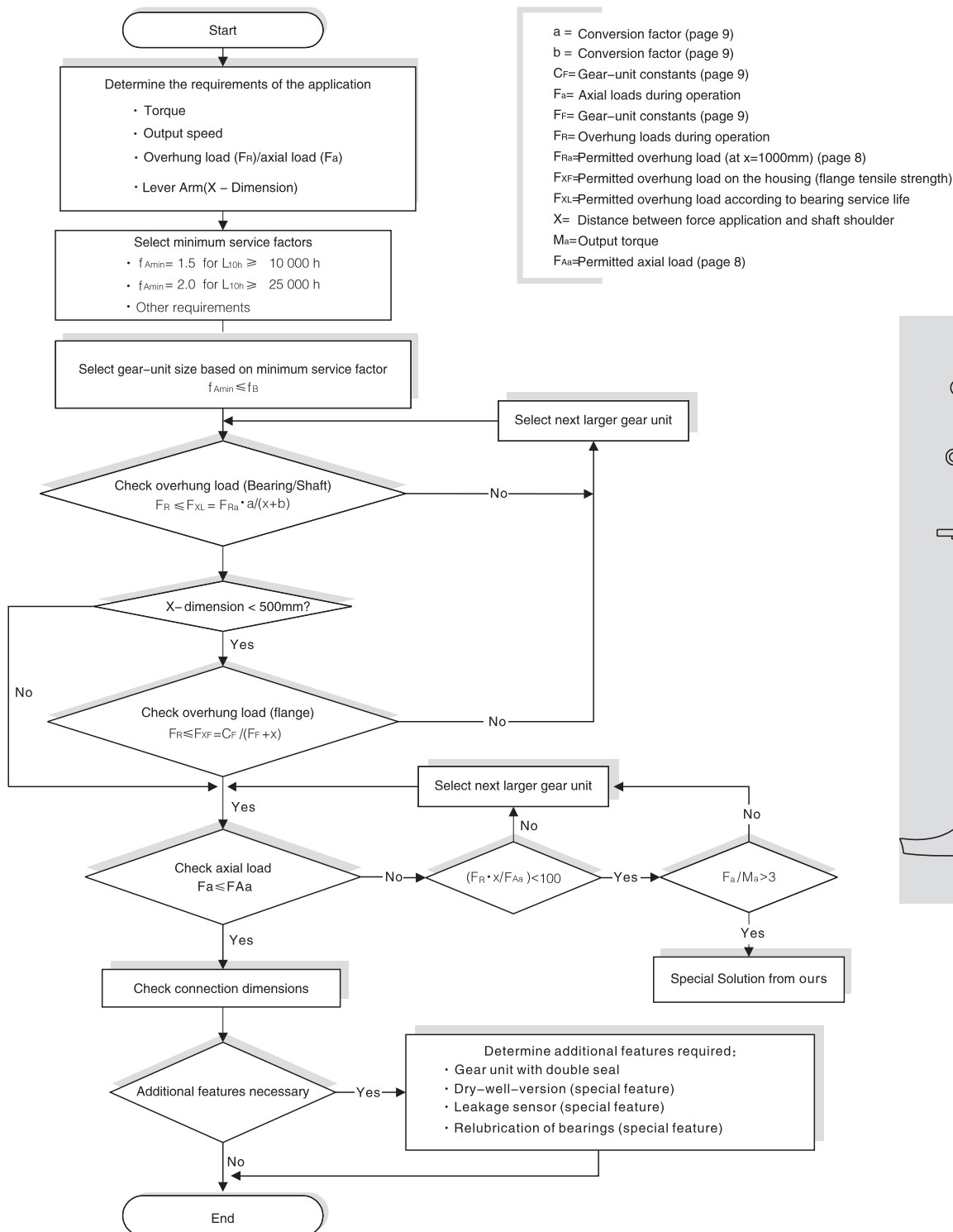
3. The parameters in this list also fits model ERM.

# ER SERIES REDUCTOR

## X、Model ERM Reductor

The ERM helical gear reductor is the three-stage or two-stage flange-mounted helical gear reductor with the extended bearing hub and can be applied to circumstances with the higher overhung loads and axial forces.

### 1. ERM Reductor Selection:



# ER SERIES REDUCTOR

## 2. Permitted overhung loads and axial forces:

The permitted overhung loads  $F_{Ra}$  and axial forces  $F_{Aa}$  are specified for various service factors  $F_A$  and nominal bearing service life  $L_{10h}$ .

$$F_{Amin}=1.5/L_{10h}=10\ 000h$$

	n [rpm]	<16	16–25	26–40	41–60	61–100	101–160	161–250	251–400
ERM57	$F_{Ra}$ [N]	400	400	400	400	400	405	410	415
	$F_{Aa}$ [N]	18800	15000	11500	9700	7100	5650	4450	3800
ERM67	$F_{Ra}$ [N]	575	575	575	580	575	585	590	600
	$F_{Aa}$ [N]	19000	18900	15300	11900	9210	7470	5870	5050
ERM77	$F_{Ra}$ [N]	1200	1200	1200	1200	1200	1200	1210	1200
	$F_{Aa}$ [N]	22000	22000	19400	15100	11400	9220	7200	6710
ERM87	$F_{Ra}$ [N]	1970	1970	1970	1970	1980	1990	2000	2010
	$F_{Aa}$ [N]	30000	30000	23600	18000	14300	11000	8940	8030
ERM97	$F_{Ra}$ [N]	2980	2980	2980	2990	3010	3050	3060	3080
	$F_{Aa}$ [N]	40000	36100	27300	20300	15900	12600	9640	7810
ERM107	$F_{Ra}$ [N]	4230	4230	4230	4230	4230	4230	3580	3830
	$F_{Aa}$ [N]	48000	41000	30300	23000	18000	13100	9550	9030
ERM137	$F_{Ra}$ [N]	8710	8710	8710	8710	7220	5060	3980	6750
	$F_{Aa}$ [N]	70000	70000	70000	57600	46900	44000	35600	32400
ERM147	$F_{Ra}$ [N]	11100	11100	11100	11100	11100	10600	8640	10800
	$F_{Aa}$ [N]	70000	70000	69700	58400	45600	38000	32800	30800
ERM167	$F_{Ra}$ [N]	14600	14600	14600	14600	14600	14700	—	—
	$F_{Aa}$ [N]	70000	70000	70000	60300	45300	36900	—	—

$$f_{Amin}=2.0/L_{10h}=25\ 000h$$

	n [rpm]	<16	16–25	26–40	41–60	61–100	101–160	161–250	251–400
ERM57	$F_{Ra}$ [N]	410	410	410	410	410	415	415	420
	$F_{Aa}$ [N]	12100	9600	7350	6050	4300	3350	2600	2200
ERM67	$F_{Ra}$ [N]	590	590	590	595	590	595	600	605
	$F_{Aa}$ [N]	15800	12000	9580	7330	5580	4460	3460	2930
ERM77	$F_{Ra}$ [N]	1210	1210	1210	1210	1210	1220	1220	1220
	$F_{Aa}$ [N]	20000	15400	11900	9070	6670	5280	4010	3700
ERM87	$F_{Ra}$ [N]	2000	2000	2000	2000	2000	1720	1690	1710
	$F_{Aa}$ [N]	24600	19200	14300	10600	8190	6100	5490	4860
ERM97	$F_{Ra}$ [N]	3040	3040	3040	3050	3070	3080	2540	2430
	$F_{Aa}$ [N]	28400	22000	16200	11600	8850	6840	5830	4760
ERM107	$F_{Ra}$ [N]	4330	4330	4330	4330	4330	3350	2810	2990
	$F_{Aa}$ [N]	32300	24800	17800	13000	9780	8170	5950	5620
ERM137	$F_{Ra}$ [N]	8850	8850	8850	8830	5660	4020	3200	5240
	$F_{Aa}$ [N]	70000	59900	48000	37900	33800	31700	25600	23300
ERM147	$F_{Ra}$ [N]	11400	11400	11400	11400	11400	8320	6850	8440
	$F_{Aa}$ [N]	70000	60600	45900	39900	33500	27900	24100	22600
ERM167	$F_{Ra}$ [N]	15100	15100	15100	15100	15100	13100	—	—
	$F_{Aa}$ [N]	70000	63500	51600	37800	26800	23600	—	—



# ER SERIES REDUCTOR

## 3. Conversion factors and gear unit constants:

The following conversion factors and gear unit constants apply to calculating the permitted overhung load  $F_{XL}$   $X \neq 1000\text{mm}$  for ERM gear reductor

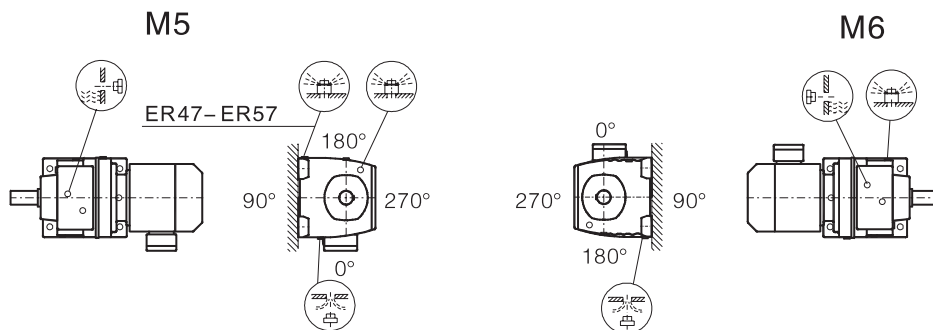
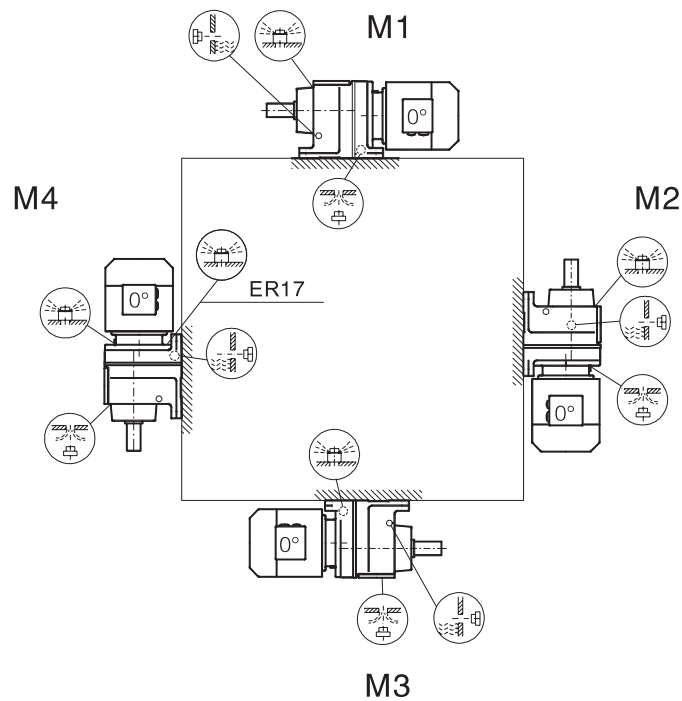
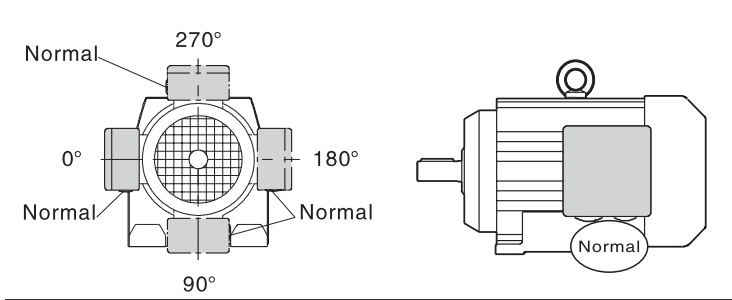
Type	a	b	$C_F(f_A=1.5)$	$C_F(f_A=2.0)$	$F_F$
<b>ERM57</b>	1047	47	1020600	1260400	277
ERM67	1047	47	2047600	2100000	297.5
ERM77	1050	50	2512800	2574700	340.5
ERM87	1056.5	56.5	4917800	5029000	414
ERM97	1061	61	10911600	11124100	481
ERM107	1069	69	15367000	15652000	554.5
ERM137	1088	88	25291700	25993600	650
ERM147	1091	91	30038700	31173900	756
ERM167	1089.5	89.5	42096100	43654300	869

## 4. Additional weights of ERM gear units:

Type	Additional weight in addition to ERF, related to the smallest ERF flange (kg)
ERM57	12
ERM67	16
<b>ERM77</b>	25
ERM87	30
ERM97	52
ERM107	90
ERM137	115
ERM147	170
ERM167	200

# ER SERIES REDUCTOR

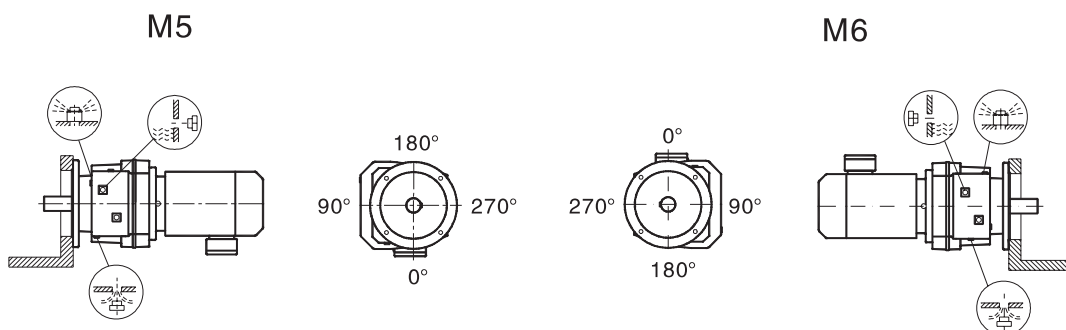
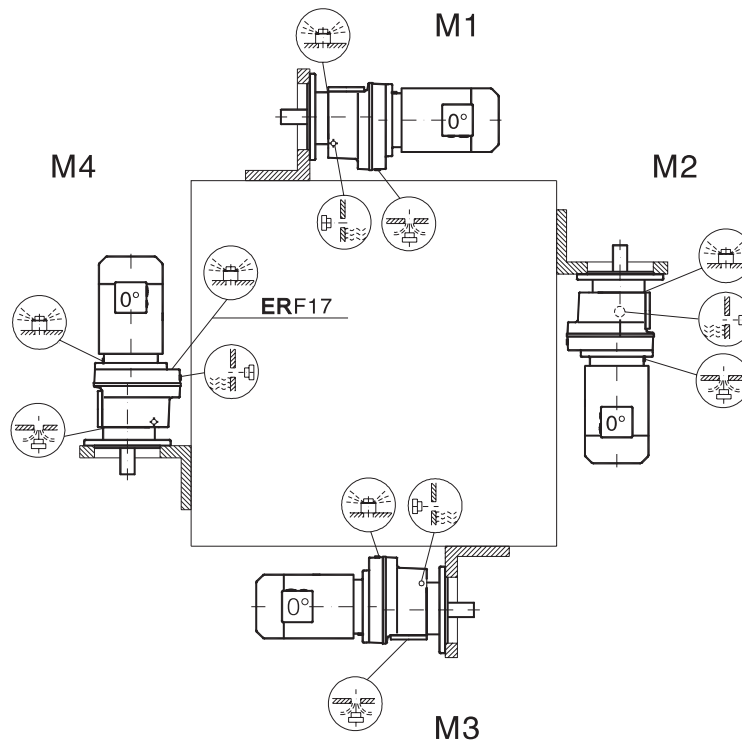
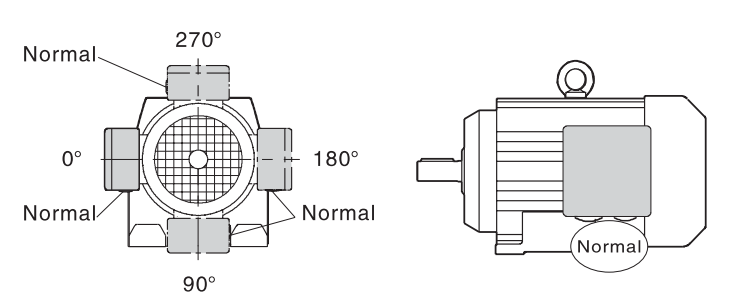
## ER17- ER167 Mounting position example



ER17, ER27		M6
ER17, ER27		M5
ER17, ER27		M1, M2, M3
ER47, ER57		M5

# ER SERIES REDUCTOR

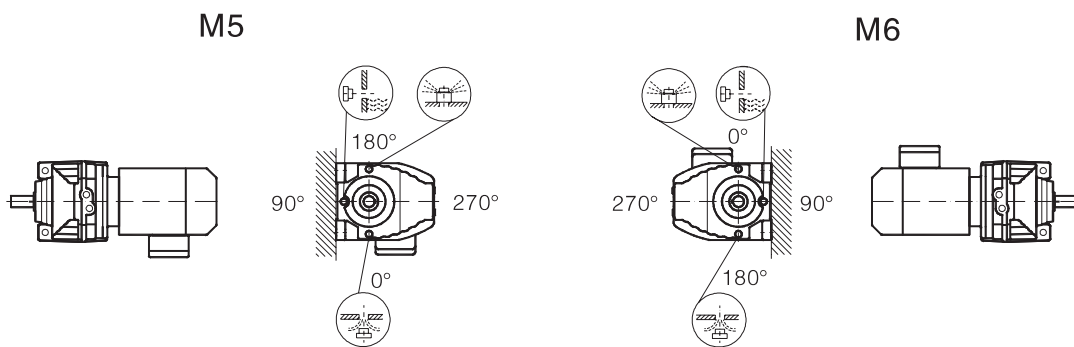
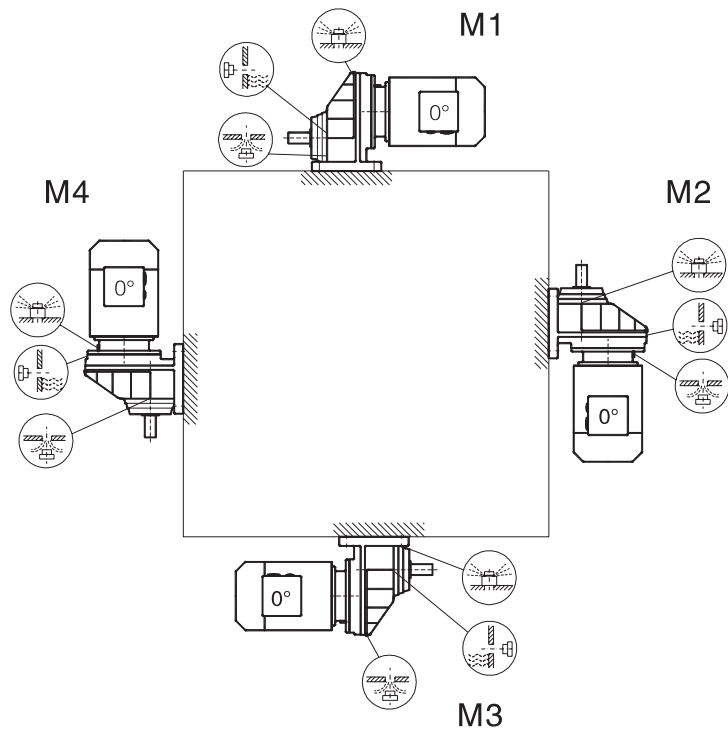
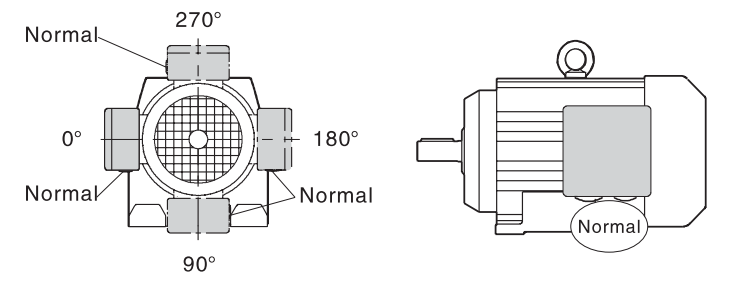
## ERF17- ERF167 Mounting position example



- |            |  |            |
|------------|--|------------|
| ER17, ER27 |  | M6         |
| ER17, ER27 |  | M5         |
| ER17, ER27 |  | M1, M2, M3 |
| ER47, ER57 |  | M5         |

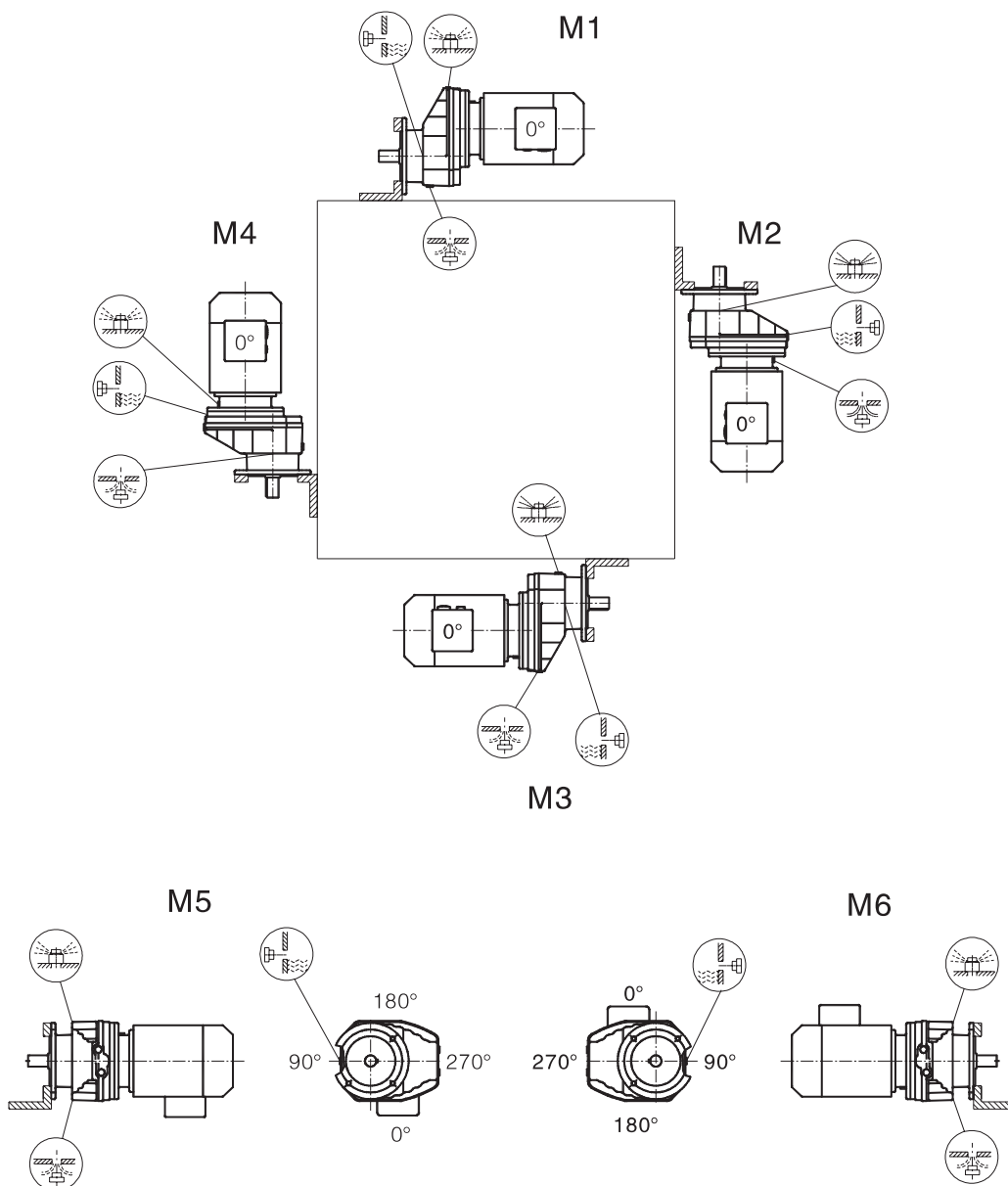
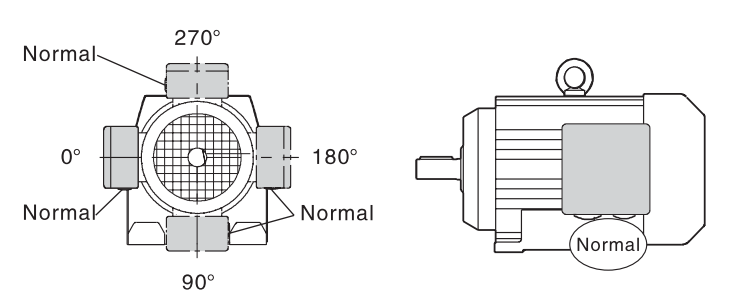
# ER SERIES REDUCTOR

## R41-R101 Mounting position example



# ER SERIES REDUCTOR

## RF41–RF101 Mounting position example



# ER SERIES REDUCTOR

Power (kW)	Output speed (r/min)	Output torque (N · m)	Ratio (i)	Service factor (fB)	Type	Motor pole	Weight (kg)			
<b>0.18</b>	0.13	11574	11010	1.07	ER 147 ER77 ERF147 ER77	4P 4P	542 552			
	0.14	10185	9689	1.21						
	0.16	8997	8559	1.37						
	0.18	7918	7532	1.56						
	0.22	6724	6397	1.84						
	0.25	5787	5505	2.1						
	0.28	5154	4903	2.4						
	0.32	4551	4329	2.7						
	0.37	3956	3763	3.1						
	0.42	3510	3339	3.5						
	0.16	9213	8764	0.82				ER 137 ER77 ERF137 ER77	4P 4P	362 382
	0.18	8009	7619	0.95						
	0.21	6992	6652	1.09						
	0.23	6255	5951	1.21						
	0.27	5438	5173	1.40						
	0.30	4947	4706	1.54						
	0.31	4714	4484	1.61						
	0.35	4206	4002	1.81						
	0.35	4142	3941	1.83						
	0.40	3689	3509	2.1						
	0.42	3478	3308	2.2						
	0.46	3146	2993	2.4						
	0.31	4658	4431	0.88	ER 107 ER77 ERF107 ER77	4P 4P	262 267			
	0.35	4201	3996	0.97						
	0.36	4004	3809	1.02						
	0.42	3501	3330	1.17						
	0.45	3250	3092	1.26						
	0.46	3167	3013	1.29						
	0.53	2753	2619	1.48						
	0.61	2395	2278	1.71						
	0.68	2143	2038	1.91						
	0.51	2858	2719	1.00	ER 97 ER57 ERF97 ER57	4P 4P	168 183			
	0.52	2787	2651	1.02						
	0.60	2450	2330	1.16						
	0.62	2361	2246	1.21						
	0.66	2204	2097	1.29						
	0.68	2134	2030	1.34						
	0.81	1811	1723	1.57						
	0.85	1725	1641	1.65						
	0.98	1495	1422	1.91						
	1.2	1261	1199	2.3						
	1.3	1150	1094	2.5						
	1.5	987	939	2.9						
1.6	926	881	3.1							
1.8	792	753	3.6							
0.80	1831	1742	0.80	ER 87 ER57 ERF87 ER57				4P 4P	118 125	
0.80	1829	1740	0.80							
0.91	1601	1523	0.92							
0.94	1554	1478	0.95							
1.0	1465	1394	1.00							
1.1	1383	1316	1.06							
1.1	1307	1244	1.13							
1.2	1237	1176	1.19							
1.4	1081	1028	1.36							
1.5	980	932	1.50							
1.6	930	885	1.58							
1.7	845	804	1.74							
1.8	826	786	1.78							
1.6	898	854	0.87		ER 77 ER37 ERF77 ER37	4P 4P	73 79			
1.7	859	817	0.91							
1.8	803	764	0.97							
1.9	776	738	1.00							
2.1	683	650	1.14							
2.4	600	571	1.30							

# ER SERIES REDUCTOR

Power (kW)	Output speed (r/min)	Output torque (N·m)	Ratio (i)	Service factor (fB)	Type	Motor pole	Weight (kg)
<b>0.18</b>	2.5	595	566	1.31	ER 77ER37 ERF77ER37	4P	73
	2.5	591	562	1.32		4P	79
	2.8	517	492	1.51			
	3.2	454	432	1.72			
	3.7	397	378	1.96			
	4.3	341	325	2.3			
	4.7	308	293	2.5			
	2.4	597	568	0.95	ER 67ER37 ERF67ER37	4P	63
	2.5	594	565	0.96		4P	66
	2.8	517	492	1.10			
	2.9	510	485	1.12			
	3.2	464	441	1.23			
	3.6	406	386	1.40			
	4.0	365	347	1.56			
	4.7	310	295	1.84			
5.4	271	258	2.1				
2.9	500	475	0.86	ER 57ER37 ERF57ER37	4P	51	
3.1	468	446	0.91		4P	55	
3.4	431	410	0.99				
3.8	380	361	1.13				
3.9	375	356	1.14				
4.3	343	326	1.25				
4.4	330	314	1.29				
4.8	304	289	1.41				
5.2	282	269	1.51				
5.3	278	264	1.54				
5.7	258	246	1.66				
6.4	229	218	1.87				
6.5	226	215	1.89				
7.5	195	185	2.2				
8.9	164	156	2.6				
4.6	319	304	0.89	ER 47ER37 ERF47ER37	4P	43	
5.6	263	250	1.09		4P	43	
6.1	240	228	1.19				
7.2	204	194	1.40				
6.1	239	227	0.80	ER 37ER17 ERF37ER17	4P	29	
6.9	212	202	0.90		4P	31	
7.0	210	199	0.91				
7.7	189	180	1.01				
8.1	180	172	1.05				
9.0	163	155	1.17				
9.3	157	150	1.21				
9.8	150	143	0.82	ER 27ER17 ERF27ER17	4P	24	
10	142	135	0.87		4P	24	
11	129	123	0.96				
12	123	117	1.01				
13	115	109	1.07				
14	108	103	1.15				
15	99	94	1.25				
15	95	90	1.30				
4.4	389	192.55 ★	2.0	ER 77 ERF77	6P	60	
4.9	350	173.08 ★	2.4		6P	66	
5.8	298	147.12 ★	2.7				
6.2	276	136.43 ★	2.9				
7.2	239	118.42 ★	3.2				
7.2	238	192.55 ★	3.0	ER 77 ERF77	4P	56	
8.0	214	173.08 ★	3.6		4P	62	
8.7	197	159.23 ★	3.8				
9.4	182	147.12 ★	4.1				
10	169	136.43 ★	4.4				
4.1	415	205.30 ★	1.43	ER 67 ERF67	6P	50	
4.5	382	189.09 ★	1.57		6P	53	
5.2	328	162.40 ★	1.81				

# ER SERIES REDUCTOR

Power (kW)	Output speed (r/min)	Output torque (N · m)	Ratio (i)	Service factor (fB)	Type	Motor pole	Weight (kg)
<b>0.18</b>	6.0	286	141.32	2.1	ER 67 ERF 67	6P 6P	50 53
	6.4	268	132.36	2.2			
	7.3	236	116.89	2.6			
	8.2	210	104.00	2.8			
	8.6	199	98.33	3.0			
	10	178	88.24	3.3			
	11	150	74.18	3.9			
	12	141	69.48	4.1			
	6.8	254	205.30 ★	2.2	ER 67 ERF 67	4P 4P	46 49
	7.4	234	189.09 ★	2.4			
8.6	201	162.40 ★	2.8				
9.2	187	151.27 ★	2.9				
10	175	141.32	3.1				
11	164	132.36	3.4				
11	154	124.26	3.6				
12	145	116.89	3.8				
13	136	110.17	3.9				
13	129	104.00	4.1				
4.6	376	186.05 ★	1.14	ER 57 ERF 57	6P 6P	38 42	
5.0	347	171.36 ★	1.24				
5.8	298	147.17 ★	1.47				
6.6	259	128.07	1.66				
7.1	243	119.95	1.81				
7.5	230	186.05 ★	1.76	ER 57 ERF 57	4P 4P	34 38	
8.1	212	171.36 ★	1.90				
9.4	182	147.17 ★	2.2				
10	170	137.09 ★	2.4				
11	158	128.07	2.6				
12	148	119.95	2.8				
12	139	112.61	2.9				
13	131	105.93	3.0				
14	123	99.84	3.3				
15	117	94.25	3.4				
16	110	89.11	3.6				
8.0	214	173.10 ★	1.24	ER 47 ERF 47	4P 4P	26 26	
8.7	197	159.43 ★	1.33				
10	169	136.92 ★	1.57				
11	158	127.55 ★	1.66				
12	147	119.15	1.81				
12	138	111.60	1.90				
13	130	104.77	2.0				
14	122	98.56	2.2				
15	115	92.89	2.4				
16	108	87.69	2.5				
17	103	83.34 ★	2.6				
18	96	77.64 ★	2.9				
19	90	72.53	3.1				
20	84	67.93	3.6				
22	79	63.77	3.9				
23	74	59.99	4.1				
25	70	56.54	4.5				
26	66	53.38	4.8				
6.7	255	126.09 ★	0.80	ER 37 ERF 37	6P 6P	25 27	
7.9	217	107.35 ★	0.90				
9.2	187	92.56	1.05				
10	174	86.27	1.14				
10	170	137.47 ★	1.09	ER 37 ERF 37	4P 4P	21 23	
11	156	126.09 ★	1.19				
12	144	116.14 ★	1.28				
13	133	107.35 ★	1.38				
14	123	99.55 ★	1.52				
15	114	92.56	1.62				
16	107	86.27	1.71				
19	90	73.00 ★	2.0				
21	82	66.36 ★	2.1				



# ER SERIES REDUCTOR

Power (kW)	Output speed (r/min)	Output torque (N · m)	Ratio (i)		Service factor (fB)	Type	Motor pole	Weight (kg)			
<b>0.18</b>	23	75	60.51	★	2.4	<b>ER 37</b> <b>ERF37</b>	4P 4P	21 23			
	25	68	55.30		2.7						
	27	63	50.65		2.9						
	30	57	46.45		3.0						
	33	53	42.66		3.4						
	37	47	37.96	★	3.9						
	40	43	34.51	★	4.3						
	44	39	31.46	★	4.8						
	48	36	28.76		5.1						
	53	33	26.34		5.4						
	58	30	24.16		5.9						
	11	151	121.82	★	0.82				<b>ER 27</b> <b>ERF27</b>	4P 4P	16 16
	12	138	111.67	★	0.89						
	14	127	102.78	★	0.97						
	15	117	94.95	★	1.05						
	16	109	87.98	★	1.14						
	17	101	81.75		1.22						
	18	94	76.14		1.31						
20	88	71.06		1.41							
21	82	66.45		1.50							
22	77	62.23		1.60							
24	72	58.37		1.71							
25	68	54.82		1.82							
27	64	51.54		1.94							
29	60	48.50		2.1							
30	56	45.68		2.2							
36	47	38.37	★	2.6							
39	44	35.47	★	2.8							
42	41	32.84		3.0							
49	35	28.27		3.5							
56	31	24.77		4.0							
48	36	29.15	★	3.4	<b>ER 27</b> <b>ERF27</b>	4P 4P	16 16				
52	33	26.80	★	3.7							
56	31	24.74	★	4.0							
61	28	22.93		4.4							
70	25	19.88		5.0							
75	23	18.58		5.4							
80	22	17.40		5.7							
85	20	16.33		6.1							
90	19	15.36		6.5							
96	18	14.47		6.9							
102	17	13.64		7.3							
108	16	12.88		7.7							
114	15	12.18		8.1							
33	53	26.02		1.53				<b>ER 17</b> <b>ERF17</b>	6P 6P	18 18	
37	47	23.02		1.73							
43	40	19.96	★	2.00							
17	103	83.29	★	0.80				<b>ER 17</b> <b>ERF17</b>	4P 4P	14 14	
18	95	76.66	★	0.85							
20	88	70.82	★	0.92							
21	81	65.62	★	1.00							
23	75	60.97		1.07							
24	70	56.79		1.15							
26	66	53.00		1.23							
28	61	49.56		1.32							
30	57	46.42		1.41							
32	54	43.54		1.50							
34	51	40.89		1.60							
36	48	38.80		1.68							
38	45	36.14		1.81							
41	42	33.73		1.94							
44	39	31.54		2.1							
47	37	29.54		2.2							
50	34	27.70		2.4							
53	32	26.02		2.5							
57	30	24.46		2.7							
60	28	23.02		2.8							

# ER SERIES REDUCTOR

Power (kW)	Output speed (r/min)	Output torque (N · m)	Ratio (i)		Service factor (fB)	Type	Motor pole	Weight (kg)	
<b>0.18</b>	70	25	19.96	★	3.3	ER 17 ERF17	4P	14	
	82	21	16.86	★	3.9		4P	14	
	89	19	15.59	★	4.2				
	96	18	14.45	★	4.5				
	103	17	13.44		4.9				
	111	15	12.53		5.2				
	119	14	11.70		5.3				
	127	14	10.95		5.7				
	135	13	10.26		5.8				
	144	12	9.64		6.0				
	153	11	9.06		6.4				
	163	11	8.52		6.5				
	173	10	8.03		6.7				
	184	9.4	7.57		5.7				
	195	8.8	7.14		5.8				
	221	7.8	6.28		6.6				
	236	7.3	5.89		7.0				
	251	6.8	5.53		7.4				
	267	6.4	5.20		7.7				
	284	6.0	4.89		8.0				
	302	5.7	4.61		8.0				
	320	5.4	4.34		8.3				
	339	5.1	4.10		8.6				
	359	4.8	3.87		8.9				
	137	13	6.2	★	2.3		R 61 RF61	6P	23
	148	12	5.75	★	3.2			6P	24
	159	11	5.35	★	4.4				
	182	9.5	4.68	★	5.5				
	193	8.9	4.4	★	5.9				
	205	8.4	4.14	★	6.8				
	217	7.9	3.91	★	7.2				
	230	7.5	3.7	★	7.6				
	243	7.1	3.5	★	8.1				
	266	6.5	3.2		8.8				
	327	5.3	2.6		11				
374	4.6	2.27		12					
224	7.7	6.2	★	3.7	R 61 RF61	4P		19	
242	7.1	5.75	★	5.2		4P		20	
260	6.6	5.35	★	7.2					
297	5.8	4.68	★	9.0					
316	5.4	4.4	★	9.6					
336	5.1	4.14	★	11					
355	4.8	3.91	★	12					
376	4.6	3.7	★	12					
397	4.3	3.5	★	13					
434	4.0	3.2		14					
535	3.2	2.6		18					
612	2.8	2.27		20					
257	6.7	5.4	★	5.5		R 41 RF41	4P	15	
299	5.8	4.65	★	7.4	4P		16		
321	5.4	4.33	★	12					
343	5.0	4.05	★	13					
366	4.7	3.8	★	14					
389	4.4	3.57	★	15					
414	4.2	3.36	★	15					
438	3.9	3.17	★	16					
489	3.5	2.84		18					
517	3.3	2.69		20					
543	3.2	2.56		21					
632	2.7	2.2		24					
728	2.4	1.91		28					
832	2.1	1.67		32					
<b>0.25</b>	0.14	14145	9689		0.87		ER 147ER77 ERF 147ER77	4P	536
	0.16	12496	8559		0.99	4P		546	
	0.18	10996	7532		1.12				
	0.22	9340	6397		1.32				

# ER SERIES REDUCTOR

Power (kW)	Output speed (r/min)	Output torque (N · m)	Ratio (i)	Service factor (fB)	Type	Motor pole	Weight (kg)
<b>0.25</b>	0.25	8038	5505	1.54	ER 147ER 77 ERF 147ER 77	4P 4P	536 546
	0.28	7158	4903	1.73			
	0.32	6320	4329	1.95			
	0.37	5493	3763	2.2			
	0.42	4874	3339	2.5			
	0.47	4303	2947	2.9			
	0.23	8688	5951	0.87	ER 137ER 77 ERF 137ER 77	4P 4P	366 386
	0.27	7553	5173	1.01			
	0.30	6870	4706	1.11			
	0.31	6547	4484	1.16			
	0.35	5842	4002	1.30			
	0.35	5753	3941	1.32			
	0.40	5123	3509	1.48			
	0.42	4830	3308	1.57			
	0.46	4369	2993	1.74			
	0.51	3948	2704	1.92			
	0.58	3528	2417	2.2			
	0.67	3030	2075	2.5			
	0.76	2688	1841	2.8			
	0.97	2085	1428	3.6			
1.1	1774	1215	4.3				
0.45	4514	3092	0.90	ER 107ER 77 ERF 107ER 77	4P 4P	266 271	
0.46	4398	3013	0.93				
0.68	2968	2033	1.38				
0.77	2630	1802	1.55				
0.87	2325	1592	1.76				
0.99	2053	1406	1.99				
1.2	1755	1202	2.3				
1.5	1367	937	3.0				
1.6	1236	846	3.3				
0.68	2964	2030	0.96	ER 97ER 57 ERF 97ER 57	4P 4P	172 177	
0.76	2667	1827	1.07				
0.81	2515	1723	1.13				
0.85	2395	1641	1.19				
0.88	2307	1580	1.24				
1.0	2003	1372	1.42				
1.1	1796	1230	1.59				
1.3	1547	1059	1.84				
1.5	1364	934	2.1				
1.7	1204	824	2.4				
1.9	1076	737	2.6				
2.2	924	633	3.1				
1.2	1718	1176	0.86	ER 87ER 57 ERF 87ER 57	4P 4P	122 129	
1.4	1501	1028	0.98				
1.5	1361	932	1.08				
1.6	1292	885	1.14				
1.7	1174	804	1.25				
1.8	1148	786	1.28				
2.0	1008	690	1.46				
2.3	865	593	1.70				
2.7	762	522	1.93				
3.1	662	453	2.2				
5.1	399	273	3.7				
2.5	826	566	0.94				ER 77ER 37 ERF 77ER 37
2.5	820	562	0.95				
2.8	718	492	1.08				
3.2	631	432	1.24				
3.7	551	378	1.41				
4.3	474	325	1.64				
4.7	428	293	1.82				
5.3	379	260	2.1				
6.2	326	224	2.4				
3.6	564	386	1.01	ER 67ER 37 ERF 67ER 37	4P 4P	67 70	
3.6	561	384	1.02				
3.9	522	358	1.09				

# ER SERIES REDUCTOR

Power (kW)	Output speed (r/min)	Output torque (N · m)	Ratio (i)	Service factor (fB)	Type	Motor pole	Weight (kg)
<b>0.25</b>	4.0	506	347	1.13	<b>ER 67ER37</b> <b>ERF 67ER37</b>	4P	67
	4.5	453	311	1.26		4P	70
	4.7	431	295	1.32			
	5.4	377	258	1.51			
	6.0	340	233	1.67			
	7.0	291	200	1.96			
	7.6	266	182	2.1			
	8.0	254	174	2.2			
	8.9	229	157	2.5			
		4.3	476	326		0.90	<b>ER 57ER37</b> <b>ERF 57ER37</b>
	4.4	459	314	0.93	4P	59	
	4.8	422	289	1.01			
	5.2	392	269	1.09			
	5.3	386	264	1.11			
	5.7	358	246	1.19			
	6.4	318	218	1.34			
	6.5	314	215	1.36			
	7.5	270	185	1.58			
	8.4	241	165	1.77			
	9.8	207	142	2.1			
	6.1	333	228	0.86	<b>ER 47ER37</b> <b>ERF 47ER37</b>	4P	47
	7.2	283	194	1.01		4P	47
	7.6	266	182	1.07			
	9.0	226	155	1.26			
	9.0	227	155	0.84	<b>ER 37ER17</b> <b>ERF 37ER17</b>	4P	33
	9.3	218	150	0.87		4P	35
	10	195	134	0.97			
	11	188	129	1.01			
	11	186	127	1.02			
	11	182	125	1.04			
	12	163	111	1.17			
	13	152	104	1.25			
	15	137	93	1.39			
	16	130	89	1.46			
	2.3	1059	286.06 ★	2.7	<b>ER 97</b> <b>ERF 97</b>	8P	148
	2.5	940	254.02 ★	3.0		8P	163
	2.7	889	240.29 ★	3.2			
	2.9	822	221.98 ★	3.5			
	2.6	909	245.54 ★	1.62	<b>ER 87</b> <b>ERF 87</b>	8P	98
	3.1	781	211.01 ★	1.89		8P	105
	3.3	728	196.79 ★	2.0			
	3.5	682	184.15 ★	2.2			
	3.7	641	173.08 ★	1.22	<b>ER 77</b> <b>ERF 77</b>	8P	68
	4.4	545	147.12 ★	1.43		8P	74
	4.7	505	136.43 ★	1.54			
	5.4	438	118.42 ★	1.78			
	4.4	541	192.55 ★	1.44	<b>ER 77</b> <b>ERF 77</b>	6P	62
	4.9	486	173.08 ★	1.60		6P	68
	5.8	413	147.12 ★	1.89			
	7.2	331	192.55 ★	2.4	<b>ER 77</b> <b>ERF 77</b>	4P	60
	8.0	297	173.08 ★	2.6		4P	66
	8.7	273	159.23 ★	2.8			
	9.4	253	147.12 ★	3.1			
	10	234	136.43 ★	3.3			
	12	203	118.42 ★	3.8			
	4.0	601	162.40 ★	0.95	<b>ER 67</b> <b>ERF 67</b>	8P	58
	4.6	523	141.32 ★	1.09		8P	61
	4.9	490	132.36 ★	1.16			
	5.5	433	116.89	1.32			
	4.1	577	205.30 ★	0.99	<b>ER 67</b> <b>ERF 67</b>	6P	52
	4.5	531	189.09 ★	1.07		6P	55

# ER SERIES REDUCTOR

Power (kW)	Output speed (r/min)	Output torque (N · m)	Ratio (i)	Service factor (fB)	Type	Motor pole	Weight (kg)
<b>0.25</b>	5.2	456	162.40 ★	1.25	<b>ER 67</b> <b>ERF 67</b>	6P 6P	52 55
	6.0	397	141.32	1.44			
	6.4	372	132.36	1.53			
	7.3	328	116.89	1.74			
	8.2	292	104.00	1.95			
	6.8	353	205.30 ★	1.62	<b>ER 67</b> <b>ERF 67</b>	4P 4P	50 53
	7.4	325	189.09 ★	1.75			
	8.6	279	162.40 ★	2.0			
	9.2	260	151.27 ★	2.2			
	10	243	141.32	2.3			
	11	227	132.36	2.5			
	11	213	124.26	2.7			
	12	201	116.89	2.8			
	13	189	110.17	3.0			
	13	179	104.00	3.2			
	14	169	98.33	3.4			
	16	152	88.24	3.8			
	19	127	74.18	4.5			
	20	119	69.48	4.8			
	21	112	65.22	5.1			
	23	105	61.36	5.4			
	24	99	57.82	5.7			
	25	94	54.59	6.1			
	27	89	51.61	6.4			
	4.6	523	186.05 ★	0.82	<b>ER 57</b> <b>ERF 57</b>	6P 6P	40 44
	5.0	481	171.36 ★	0.89			
	5.8	413	147.17 ★	1.03			
	6.6	360	128.07	1.19			
	7.1	337	119.95	1.27			
	8.0	298	105.93	1.44			
	8.5	280	99.84	1.52			
	7.5	320	186.05 ★	1.34	<b>ER 57</b> <b>ERF 57</b>	4P 4P	38 42
	8.1	294	171.36 ★	1.45			
	9.4	253	147.17 ★	1.69			
	10	235	137.09	1.82			
	11	220	128.07	1.94			
	12	206	119.95	2.1			
	12	193	112.61	2.2			
	13	182	105.93	2.3			
	14	171	99.84	2.5			
	15	162	94.25	2.6			
	16	153	89.11	2.8			
	17	137	79.97	3.1			
20	117	68.05	3.7				
22	110	63.88	3.9				
23	103	60.10	4.1				
25	97	56.64	4.4				
26	92	53.47	4.7				
27	87	50.55	4.9				
8.0	297	173.10 ★	0.96	<b>ER 47</b> <b>ERF 47</b>	4P 4P	30 30	
8.7	274	159.43 ★	1.04				
10	235	136.92 ★	1.21				
11	219	127.55 ★	1.30				
12	205	119.15	1.39				
12	192	111.60	1.49				
13	180	104.77	1.58				
14	169	98.56	1.68				
15	160	92.89	1.79				
16	151	87.69	1.89				
17	143	83.34 ★	1.99				
18	133	77.64 ★	2.1				
19	125	72.53	2.3				
20	117	67.93	2.4				
22	110	63.77	2.6				
23	103	59.99	2.8				
25	97	56.54	2.9				
26	92	53.38	3.1				

# ER SERIES REDUCTOR

Power (kW)	Output speed (r/min)	Output torque (N · m)	Ratio (i)		Service factor (fB)	Type	Motor pole	Weight (kg)		
<b>0.25</b>	10	236	137.47	★	0.80	<b>ER 37</b> <b>ERF37</b>	4P	25		
	11	217	126.09	★	0.88		4P	27		
	12	199	116.14	★	0.95					
	13	184	107.35	★	1.03					
	14	171	99.55	★	1.11					
	15	159	92.56		1.20					
	16	148	86.27		1.28					
	19	125	73.00	★	1.52					
	21	114	66.36	★	1.67					
	23	104	60.51	★	1.83					
	25	95	55.30		2.0					
	27	87	50.65		2.2					
	30	80	46.45		2.4					
	33	73	42.66		2.6					
	37	65	37.96	★	2.9					
	40	59	34.51	★	3.2					
	44	54	31.46	★	3.5					
	48	49	28.76		3.8					
	53	45	26.34		4.2					
	58	41	24.16		4.6					
		17	140	81.75			0.88	<b>ER 27</b> <b>ERF27</b>	4P	20
		18	131	76.14			0.94		4P	20
		20	122	71.06			1.01			
		21	114	66.45			1.08			
		22	107	62.23			1.16			
		24	100	58.37			1.23			
		25	94	54.82			1.31			
		27	89	51.54			1.40			
		29	83	48.50			1.48			
		30	78	45.68			1.57			
		36	66	38.37	★		1.87			
		39	61	35.47	★		2.0			
		42	56	32.84			2.2			
		49	49	28.27			2.5			
		56	43	24.77	★		2.9			
		48	50	29.15	★		2.5	<b>ER 27</b> <b>ERF27</b>	4P	20
		52	46	26.80	★		2.7		4P	20
		56	43	24.74	★		2.9			
	61	39	22.93	★	3.1					
	70	34	19.88		3.6					
	75	32	18.58		3.9					
	80	30	17.40		4.1					
	85	28	16.33		4.4					
	90	26	15.36		4.7					
	96	25	14.47		5.0					
	102	23	13.64		5.3					
	108	22	12.88		5.6					
	114	21	12.18		5.9					
	134	18	10.35		6.5					
	157	15	8.86		7.6					
	169	14	8.21		7.8					
	175	14	7.96	★	7.6					
	191	12	7.27	★	8.2					
	209	11	6.67	★	8.8					
	227	11	6.13		9.3					
	246	9.7	5.64		9.7					
	267	8.9	5.21		10					
	289	8.3	4.81		11					
	312	7.7	4.45		11					
	337	7.1	4.13		12					
	363	6.6	3.83		12					
	421	5.7	3.30		13					
	24	98	56.79		0.83	<b>ER 17</b> <b>ERF17</b>	4P	18		
	26	91	53.00		0.89		4P	18		
	28	85	49.56		0.95					
	30	80	46.42		1.01					
	32	75	43.54		1.08					

# ER SERIES REDUCTOR

Power (kW)	Output speed (r/min)	Output torque (N · m)	Ratio (i)	Service factor (fB)	Type	Motor pole	Weight (kg)	
<b>0.25</b>	34	70	40.89	1.15	<b>ER 17</b>	4P	18	
	36	67	38.80	1.21		<b>ERF 17</b>	4P	18
	38	62	36.14	1.30				
	41	58	33.73	1.39				
	44	54	31.54	1.49				
	47	51	29.54	1.59				
	50	48	27.70	1.70				
	53	45	26.02	1.81				
	57	42	24.46	1.92				
	60	40	23.02	2.0				
		70	34	19.96	★ 2.4	<b>ER 17</b>	4P	18
		82	29	16.86	★ 2.8		<b>ERF 17</b>	4P
		89	27	15.59	★ 3.0			
		96	25	14.45	★ 3.3			
		103	23	13.44	3.5			
		111	22	12.53	3.8			
		119	20	11.70	3.8			
		127	19	10.95	4.0			
		135	18	10.26	4.1			
		144	17	9.64	4.3			
		153	16	9.06	4.5			
		163	15	8.52	4.7			
		173	14	8.03	4.3			
		184	13	7.57	4.1			
		195	12	7.14	4.3			
		221	11	6.28	4.8			
		236	10	5.89	5.0			
		251	9.5	5.53	5.2			
	267	8.9	5.20	5.4				
	284	8.4	4.89	5.5				
	302	7.9	4.61	5.8				
	320	7.5	4.34	6.1				
	339	7.0	4.10	6.2				
	359	6.6	3.87	6.4				
	137	17	6.20	★ 2.3	<b>R 61</b>	6P	25	
	148	16	5.75	★ 4.1		<b>RF61</b>	6P	26
	159	15	5.35	★ 4.7				
	182	13	4.68	★ 5.9				
	193	12	4.40	★ 6.1				
	205	12	4.14	★ 6.9				
	217	11	3.91	★ 7.5				
	230	10	3.70	★ 8.0				
	243	9.8	3.50	★ 8.7				
	266	9.0	3.20	11				
	327	7.3	2.60	15				
	374	6.4	2.27	19				
	224	11	6.20	★ 3.8	<b>R 61</b>	4P	23	
	242	9.9	5.75	★ 6.7		<b>RF61</b>	4P	24
	260	9.2	5.35	★ 7.8				
	297	8.0	4.68	★ 9.7				
	316	7.6	4.40	★ 10				
	336	7.1	4.14	★ 11				
	355	6.7	3.91	★ 12				
	376	6.4	3.70	★ 13				
	397	6.0	3.50	★ 14				
	434	5.5	3.20	17				
	535	4.5	2.60	25				
	612	3.9	2.27	32				
	257	9.3	5.40	★ 4.0	<b>R 41</b>	4P	19	
	299	8.0	4.65	★ 5.4		<b>RF41</b>	4P	20
	321	7.4	4.33	★ 8.7				
	343	7.0	4.05	★ 9.3				
	366	6.5	3.80	★ 10				
	389	6.1	3.57	★ 11				
	414	5.8	3.36	★ 11				
	438	5.4	3.17	★ 11				
	489	4.9	2.84	13				

# ER SERIES REDUCTOR

Power (kW)	Output speed (r/min)	Output torque (N · m)	Ratio (i)	Service factor (fB)	Type	Motor pole	Weight (kg)
<b>0.25</b>	517	4.6	2.69	14	R 41	4P	19
	543	4.4	2.56	15	RF41	4P	20
	632	3.8	2.20	17			
	728	3.3	1.91	20			
	832	2.9	1.67	23			
<b>0.37</b>	0.18	16275	7532	0.80	ER 147ER77	4P	547
	0.22	13823	6397	0.89	ERF147ER77	4P	557
	0.25	11896	5505	1.04			
	0.28	10594	4903	1.17			
	0.32	9353	4329	1.32			
	0.37	8130	3763	1.52			
	0.42	7214	3339	1.71			
	0.47	6368	2947	1.94			
	0.31	9689	4484	0.80	ER 137ER77	4P	367
	0.35	8647	4002	0.88	ERF137ER77	4P	387
	0.35	8515	3941	0.89			
	0.40	7583	3509	1.00			
	0.42	7149	3308	1.06			
	0.46	6466	2993	1.18			
	0.51	5844	2704	1.30			
	0.58	5222	2417	1.46			
	0.62	4864	2251	1.56			
	0.67	4484	2075	1.69			
	0.76	3978	1841	1.91			
	0.97	3085	1428	2.5			
	1.1	2626	1215	2.9			
1.3	2307	1068	3.3				
1.4	2087	966	3.6				
0.68	4405	2038	0.93	ER 107ER77	4P	267	
0.68	4393	2033	0.93	ERF107ER77	4P	272	
0.77	3893	1802	1.05				
0.83	3630	1680	1.13				
0.87	3441	1592	1.19				
0.90	3354	1552	1.22				
1.0	3038	1406	1.34				
1.1	2633	1218	1.55				
1.2	2597	1202	1.57				
1.3	2326	1076	1.76				
1.5	2024	937	2.0				
1.6	1829	846	2.2				
1.0	3073	1422	0.93	ER 97ER57	4P	173	
1.0	2965	1372	0.96	ERF97ER57	4P	178	
1.1	2658	1230	1.07				
1.2	2591	1199	1.10				
1.3	2364	1094	1.21				
1.3	2289	1059	1.25				
1.5	2019	934	1.41				
1.7	1781	824	1.60				
1.9	1593	737	1.79				
2.2	1368	633	2.1				
3.3	922	427	3.1				
3.7	813	376	3.5				
4.1	728	337	3.9				
1.7	1738	804	0.85	ER 87ER57	4P	123	
1.8	1698	786	0.87	ERF87ER57	4P	130	
1.8	1631	755	0.90				
2.0	1491	690	0.99				
2.1	1410	652	1.04				
2.3	1281	593	1.15				
2.6	1149	532	1.28				
2.7	1128	522	1.31				
2.9	1019	472	1.44				
3.1	980	453	1.50				
3.5	866	401	1.70				
3.8	781	361	1.89				
5.1	591	273	2.5				
5.9	506	234	2.9				



# ER SERIES REDUCTOR

Power (kW)	Output speed (r/min)	Output torque (N · m)	Ratio (i)	Service factor (fB)	Type	Motor pole	Weight (kg)	
<b>0.37</b>	3.2	933	432	0.83	<b>ER 77ER37</b> <b>ERF77ER37</b>	4P	78	
	3.7	816	378	0.95		4P	84	
	4.3	702	325	1.11				
	4.7	633	293	1.23				
	5.3	562	260	1.39				
	6.2	483	224	1.61				
	7.0	426	197	1.83				
	8.2	366	170	2.1				
	9.4	321	148	2.4				
	4.7	637	295	0.89		<b>ER 67ER37</b> <b>ERF67ER37</b>	4P	68
	5.4	558	258	1.02			4P	71
	6.0	504	233	1.13				
	7.0	431	200	1.32				
	2.6	1340	254.02	★		2.1	<b>ER 97</b> <b>ERF97</b>	8P
	2.8	1267	240.29	★	2.2	8P		166
	3.0	1171	221.98	★	2.4			
	3.5	1012	191.83	★	2.8			
	3.1	1142	286.06	★	2.5	<b>ER 97</b> <b>ERF97</b>	6P	145
	3.5	1014	254.02	★	2.8		6P	160
	3.7	959	240.29	★	3.0			
	4.0	886	221.98	★	3.2			
	3.2	1113	211.01	★	1.32	<b>ER 87</b> <b>ERF87</b>	8P	101
	3.4	1038	196.79	★	1.42		8P	108
	3.6	971	184.15	★	1.52			
	3.6	980	245.54	★	1.50	<b>ER 87</b> <b>ERF87</b>	6P	95
	4.2	842	211.01	★	1.75		6P	102
	4.5	786	196.79	★	1.87			
	4.8	735	184.15	★	2.0			
	5.8	613	153.46	★	2.4			
	6.1	579	145.09		2.5			
	4.6	776	147.12	★	1.00	<b>ER 77</b> <b>ERF77</b>	8P	71
	4.9	719	136.43	★	1.08		8P	77
	5.7	625	118.42	★	1.25			
	5.1	691	173.08	★	1.13	<b>ER 77</b> <b>ERF77</b>	6P	65
	6.0	587	147.12	★	1.33		6P	71
	6.5	545	136.43	★	1.43			
	7.2	489	192.55	★	1.59	<b>ER 77</b> <b>ERF77</b>	4P	61
	8.0	440	173.08	★	1.77		4P	67
	8.7	405	159.23	★	1.92			
	9.4	374	147.12	★	2.1			
	10	347	136.43	★	2.2			
	12	301	118.42	★	2.6			
13	282	110.77	★	2.8				
13	264	103.85		3.0				
15	236	92.91		3.3				
16	220	86.54		3.5				
17	205	80.77		3.8				
5.4	648	162.40	★	0.88	<b>ER 67</b> <b>ERF67</b>		6P	55
6.3	564	141.32	★	1.01		6P	58	
6.7	528	132.36	★	1.08				
7.6	467	116.89		1.22				
6.8	522	205.30	★	1.09	<b>ER 67</b> <b>ERF67</b>	4P	51	
7.4	481	189.09	★	1.19		4P	54	
8.6	413	162.40	★	1.38				
9.2	385	151.27	★	1.48				
10	359	141.32		1.59				
11	336	132.36		1.69				
11	316	124.26		1.80				
12	297	116.89		1.92				

# ER SERIES REDUCTOR

Power (kW)	Output speed (r/min)	Output torque (N · m)	Ratio (i)	Service factor (fB)	Type	Motor pole	Weight (kg)										
<b>0.37</b>	13	280	110.17	2.0	<b>ER 67</b>	4P	51										
	13	264	104.00	2.2				<b>ERF 67</b>	4P	54							
	14	250	98.33	2.3													
	16	224	88.24	2.5													
	19	189	74.18	3.0													
	20	177	69.48	3.2													
	21	166	65.22	3.4													
	23	156	61.36	3.7													
	24	147	57.82	3.9													
	25	139	54.59	4.1													
	27	131	51.61	4.3													
	6.9	511	128.07	★							0.84	<b>ER 57</b>	6P	43			
	7.4	479	119.95	★							0.89				<b>ERF 57</b>	6P	47
	8.4	423	105.93								1.01						
	8.9	399	99.84								1.07						
	7.5	473	186.05	★							0.90	<b>ER 57</b>	4P	39			
	8.1	436	171.36	★							0.98				<b>ERF 57</b>	4P	43
	9.4	374	147.17	★							1.14						
	10	348	137.09	★	1.23												
	11	326	128.07		1.31												
	12	305	119.95		1.40												
	12	286	112.61		1.49												
	13	269	105.93		1.59												
	14	254	99.84		1.68												
	15	240	94.25		1.78												
	16	227	89.11		1.89												
	17	203	79.97		2.1												
	20	173	68.05		2.5												
	22	162	63.88		2.6												
	23	153	60.10		2.8												
	25	144	56.64		3.0												
	26	136	53.47		3.1												
	27	129	50.55		3.3												
	28	125	49.18	★	3.4												
	31	115	45.37		3.7												
	10	348	136.92	★	0.82	<b>ER 47</b>	4P	31									
	11	324	127.55	★	0.88				<b>ERF 47</b>	4P	31						
	12	303	119.15		0.94												
	12	284	111.60		1.00												
13	266	104.77		1.07													
14	251	98.56		1.14													
15	236	92.89		1.21													
16	223	87.69		1.28													
17	212	83.34	★	1.35													
18	197	77.64	★	1.44													
19	184	72.53		1.55													
20	173	67.93		1.65													
22	162	63.77		1.76													
23	153	59.99		1.87													
25	144	56.54		1.98													
26	136	53.38		2.1													
28	125	49.09	★	2.3													
31	115	45.29		2.5													
33	106	41.88		2.7													
36	99	38.82		2.9													
39	92	36.05		3.1													
41	85	33.52		3.3													
46	77	30.10	★	2.7	<b>ER 47</b>	4P	31										
50	70	27.73	★	4.0				<b>ERF 47</b>	4P	31							
58	61	23.81	★	4.7													
63	56	22.18	★	5.1													
67	53	20.72		5.3													
72	49	19.41		5.6													
76	46	18.22		5.9													
81	44	17.14		6.1													
86	41	16.15		6.4													

# ER SERIES REDUCTOR

Power (kW)	Output speed (r/min)	Output torque (N · m)	Ratio (i)	Service factor (fB)	Type	Motor pole	Weight (kg)			
<b>0.37</b>	15	235	92.56	0.81	<b>ER 37</b>	4P	26			
	16	219	86.27	0.87			<b>ERF 37</b>	4P	28	
	19	186	73.00	★ 1.02						
	21	169	66.36	★ 1.13						
	23	154	60.51	★ 1.24						
	25	141	55.30	1.35						
	27	129	50.65	1.48						
	30	118	46.45	1.61						
	33	108	42.66	1.75						
	37	96	37.96	★ 1.97						
	40	88	34.51	★ 2.2						
	44	80	31.46	★ 2.4						
	48	73	28.76	2.6						
	53	67	26.34	2.8						
	58	61	24.16	3.1						
		48	74	29.20		★ 2.6		<b>ER 37</b>	4P	26
		52	69	26.96	★ 2.6	<b>ERF 37</b>				4P
		56	64	24.98	★ 3.0					
		64	55	21.66	3.5					
		69	51	20.24	3.7					
		73	48	18.96	3.9					
		78	45	17.80	4.2					
		88	40	15.76	★ 4.7					
		96	37	14.44	★ 4.9					
		105	34	13.27	5.3					
		114	31	12.22	5.6					
		133	27	10.43	6.1					
		144	25	9.65	6.5					
		174	20	8.00	7.3					
		204	17	6.80	7.9					
		239	15	5.82	9.1					
		278	13	5.00	10					
	327	11	4.25	11						
	22	158	62.23	0.80	<b>ER 27</b>	4P	21			
	24	148	58.37	0.83			<b>ERF 27</b>	4P	21	
	25	139	54.82	0.89						
	27	131	51.54	0.94						
	29	123	48.50	1.00						
	30	116	45.68	1.06						
	36	98	38.37	1.27						
	39	90	35.47	1.37						
	42	83	32.84	1.48						
	49	72	28.27	1.72						
	56	63	24.77	★ 1.96						
	48	74	29.15	★ 1.67		<b>ER 27</b>		4P	21	
	52	68	26.80	★ 1.81	<b>ERF 27</b>				4P	21
	56	63	24.74	★ 1.96						
	61	58	22.93	★ 2.1						
	70	51	19.88	2.4						
	75	47	18.58	2.6						
	80	44	17.40	2.8						
	85	42	16.33	3.0						
	90	39	15.36	3.2						
	96	37	14.47	3.4						
	102	35	13.64	3.6						
	108	33	12.88	3.8						
	114	31	12.18	4.0						
	134	26	10.35	4.4						
	157	23	8.86	4.9						
	169	21	8.21	5.3						
	175	20	7.96	★ 5.3						
	191	18	7.27	★ 5.6						
	209	17	6.67	★ 5.9						
	227	16	6.13	6.3						
	246	14	5.64	6.6						
	267	13	5.21	6.8						
	289	12	4.81	7.2						
	312	11	4.45	7.6						

# ER SERIES REDUCTOR

Power (kW)	Output speed (r/min)	Output torque (N · m)	Ratio (i)	Service factor (fB)	Type	Motor pole	Weight (kg)
<b>0.37</b>	337	10	4.13	7.9	<b>ER 27</b>	4P	21
	363	9.7	3.83	8.3		<b>ERF 27</b>	4P
	421	8.4	3.30	9.0			
	36	99	38.80	0.82	<b>ER 17</b>	4P	19
	38	92	36.14	0.88		<b>ERF 17</b>	4P
	41	86	33.73	0.94			
	44	80	31.54	1.01			
	47	75	29.54	1.08			
	50	70	27.70	1.15			
	53	66	26.02	1.22			
	57	62	24.46	1.30			
	60	59	23.02	1.38			
	70	51	19.96	★ 1.59	<b>ER 17</b>	4P	19
	82	43	16.86	★ 1.88		<b>ERF 17</b>	4P
	89	40	15.59	★ 2.0			
	96	37	14.45	★ 2.2			
	103	34	13.44	2.4			
	111	32	12.53	2.5			
	119	30	11.70	2.6			
	127	28	10.95	2.7			
	135	26	10.26	2.8			
	144	24	9.64	2.9			
	153	23	9.06	3.1			
	163	22	8.52	3.2			
	173	20	8.03	2.7			
	184	19	7.57	2.8			
	195	18	7.14	2.9			
	221	16	6.28	3.2			
	236	15	5.89	3.4			
	251	14	5.53	3.5			
	267	13	5.20	3.7			
	284	12	4.89	3.7			
	302	12	4.61	3.9			
	320	11	4.34	4.0			
	339	10	4.10	4.2			
	359	9.8	3.87	4.3			
	165	21	5.35	★ 3.3	<b>R 61</b>	6P	28
	189	19	4.68	★ 4.2		<b>RF61</b>	6P
	201	18	4.40	★ 4.3			
	214	17	4.14	★ 4.9			
	226	16	3.91	★ 5.3			
	239	15	3.70	★ 5.6			
	253	14	3.50	★ 6.1			
	277	13	3.20	7.4			
	340	10	2.60	11			
	390	9.1	2.27	14			
	224	16	6.20	★ 2.6	<b>R 61</b>	4P	24
	242	15	5.75	★ 4.5		<b>RF61</b>	4P
	260	14	5.35	★ 5.2			
	297	12	4.68	★ 6.5			
	316	11	4.40	★ 6.8			
	336	11	4.14	★ 7.7			
	355	9.9	3.91	★ 8.3			
	376	9.4	3.70	★ 8.8			
	397	8.9	3.50	★ 9.6			
	434	8.1	3.20	12			
	535	6.6	2.60	17			
	612	5.8	2.27	21			
	257	14	5.40	★ 2.7	<b>R 41</b>	4P	20
	299	12	4.65	★ 3.6		<b>RF41</b>	4P
	321	11	4.33	★ 5.9			
	343	10	4.05	★ 6.3			
	366	9.7	3.80	★ 6.8			
	389	9.1	3.57	★ 7.2			
	414	8.5	3.36	★ 7.2			
	438	8.1	3.17	★ 7.7			

# ER SERIES REDUCTOR

Power (kW)	Output speed (r/min)	Output torque (N · m)	Ratio (i)	Service factor (fB)	Type	Motor pole	Weight (kg)			
<b>0.37</b>	489	7.2	2.84	8.8	<b>R 41</b> <b>RF41</b>	4P 4P	20			
	517	6.8	2.69	9.6			21			
	543	6.5	2.56	10						
	632	5.6	2.20	12						
	728	4.9	1.91	14						
	832	4.2	1.67	15						
<b>0.55</b>	0.23	19684	6128	0.87	<b>ER 167ER97</b> <b>ERF 167ER97</b>	4P 4P	970			
	0.26	17313	5390	0.99			980			
	0.30	14812	4611	1.15						
	0.34	13249	4125	1.29						
	0.28	15748	4903	0.80	<b>ER 147ER77</b> <b>ERF 147ER77</b>	4P 4P	551			
	0.32	13904	4329	0.89			561			
	0.37	12085	3763	1.02						
	0.42	10723	3339	1.15						
	0.47	9466	2947	1.30						
	0.54	8251	2569	1.50						
	0.62	7257	2260	1.70						
	0.71	6250	1946	1.98						
	0.81	5491	1710	2.2						
	0.90	4975	1549	2.5						
	1.0	4350	1354	2.8						
	1.2	3828	1192	3.2						
		0.51	8687	2704			0.87	<b>ER 137ER77</b> <b>ERF 137ER77</b>	4P 4P	371
		0.58	7762	2417			0.98			391
0.67		6666	2075	1.14						
0.76		5913	1841	1.29						
0.86		5196	1618	1.46						
0.97		4586	1428	1.66						
1.1		3903	1215	1.95						
1.3		3430	1068	2.2						
1.4		3102	966	2.4						
1.7		2629	819	2.9						
	1.0	4516	1406	0.90	<b>ER 107ER77</b> <b>ERF 107ER77</b>	4P 4P	271			
	1.1	3914	1218	1.04			276			
	1.2	3860	1202	1.06						
	1.2	3627	1129	1.13						
	1.3	3458	1076	1.18						
	1.5	3008	937	1.36						
	1.5	2943	916	1.39						
	1.6	2719	846	1.50						
	1.7	2632	820	1.55						
	1.9	2319	722	1.76						
	2.2	2028	632	2.0						
		1.5	3001	934			0.95	<b>ER 97ER57</b> <b>ERF 97ER57</b>	4P 4P	177
1.7		2648	824	1.08	182					
1.9		2367	737	1.20						
2.2		2033	633	1.40						
2.5		1803	561	1.58						
2.9		1558	485	1.83						
3.3		1370	427	2.1						
3.7		1209	376	2.4						
4.1		1082	337	2.6						
4.7		954	297	3.0						
5.6		794	247	3.6						
		2.7	1677	522	0.88	<b>ER 87ER57</b> <b>ERF 87ER57</b>	4P 4P			127
	2.9	1515	472	0.97	134					
	3.1	1456	453	1.01						
	3.5	1287	401	1.14						
	3.5	1267	395	1.16						
	3.8	1161	361	1.27						
	4.0	1127	351	1.31						
	4.5	985	307	1.49						
	5.0	893	278	0.87	<b>ER 77ER37</b> <b>ERF 77ER37</b>	4P 4P	82			
	5.8	766	238	1.02			88			

# ER SERIES REDUCTOR

Power (kW)	Output speed (r/min)	Output torque (N · m)	Ratio (i)	Service factor (fB)	Type	Motor pole	Weight (kg)
<b>0.55</b>	6.3	709	221	1.10	ER 77ER 37	4P	82
	7.4	606	189	1.29	ERF77ER 37	4P	88
	2.6	1991	254.02 ★	1.43	ER 97	8P	151
	2.8	1884	240.29 ★	1.51	ERF97	8P	166
	3.0	1740	221.98 ★	1.64			
	3.1	1698	286.06 ★	1.68	ER 97	6P	147
	3.5	1508	254.02 ★	1.89	ERF97	6P	162
	3.7	1426	240.29 ★	2.0			
	4.0	1317	221.98 ★	2.2			
	4.9	1081	286.06 ★	2.6	ER 97	4P	145
	5.5	960	254.02 ★	3.0	ERF97	4P	160
	5.8	908	240.29 ★	3.1			
	6.3	839	221.98 ★	3.4			
	6.7	778	205.96 ★	3.7			
	7.2	725	191.83 ★	3.9			
	7.8	677	179.26	4.2			
	8.3	635	168.02	4.5			
	9.3	562	148.75	5.1			
	3.6	1457	245.54 ★	1.01	ER 87	6P	97
	4.2	1252	211.01 ★	1.18	ERF87	6P	104
	4.5	1168	196.79 ★	1.26			
	4.8	1093	184.15 ★	1.35			
	5.8	911	153.46 ★	1.62			
	5.7	928	245.54 ★	1.59	ER 87	4P	95
	6.6	797	211.01 ★	1.85	ERF87	4P	102
	7.1	744	196.79 ★	1.98			
	7.5	696	184.15 ★	2.1			
	9.1	580	153.46 ★	2.5			
	10	548	145.09	2.7			
	11	457	120.96 ★	3.2			
	12	425	112.54	3.5			
	13	397	105.00	3.7			
	8.0	654	173.08 ★	1.19	ER 77	4P	65
	8.7	602	159.23 ★	1.29	ERF77	4P	71
	9.4	556	147.12 ★	1.40			
	10	516	136.43 ★	1.51			
	12	447	118.42 ★	1.74			
	13	419	110.77 ★	1.86			
	13	392	103.85	1.99			
	15	351	92.91	2.2			
	16	327	86.54	2.4			
	17	305	80.77	2.6			
	18	285	75.52	2.7			
	20	267	70.74	2.9			
	21	251	66.35	3.1			
	8.6	614	162.40 ★	0.93	ER 67	4P	55
	9.2	572	151.27 ★	1.00	ERF67	4P	58
	10	534	141.32 ★	1.07			
	11	500	132.36 ★	1.14			
	11	470	124.26 ★	1.21			
	12	442	116.89	1.29			
	13	416	110.17	1.37			
	13	393	104.00	1.45			
	14	372	98.33	1.53			
	16	333	88.24	1.71			
	19	280	74.18 ★	2.0			
	20	263	69.48 ★	2.2			
	21	246	65.22 ★	2.3			
	23	232	61.36	2.5			
	24	219	57.82	2.6			
	25	206	54.59	2.8			
	27	195	51.61	2.9			

# ER SERIES REDUCTOR

Power (kW)	Output speed (r/min)	Output torque (N · m)	Ratio (i)		Service factor (fB)	Type	Motor pole	Weight (kg)			
<b>0.55</b>	12	453	119.95	★	0.94	<b>ER 57</b>	4P	43			
	12	426	112.61	★	1.00						
	13	400	105.93		1.07				<b>ERF 57</b>	4P	47
	14	377	99.84		1.13						
	15	356	94.25		1.20						
	16	337	89.11		1.27						
	17	302	79.97		1.41						
	20	257	68.05	★	1.66						
	22	241	63.88	★	1.77						
	23	227	60.10		1.88						
	25	214	56.64		2.0						
	26	202	53.47		2.1						
	27	191	50.55		2.2						
	28	186	49.18	★	2.3						
	31	171	45.37		2.5						
	33	159	41.96		2.7						
	36	147	38.89		2.9						
	38	136	36.11		3.1						
	41	127	33.58		3.4						
	44	118	31.28		3.6						
	48	110	29.16		3.9						
	51	103	27.22		4.2						
	53	100	26.36	★	4.3	<b>ER 57</b>	4P	43			
	57	92	24.25	★	4.7						
	62	85	22.41	★	5.0				<b>ERF 57</b>	4P	47
	67	79	20.78	★	5.4						
	77	68	18.04	★	6.3						
	82	64	16.87	★	6.7						
	88	60	15.82		7.0						
	91	58	15.23		7.2						
	98	53	14.15		7.6						
	105	50	13.18		8.0						
	113	46	12.30		8.4						
	121	43	11.50		8.9						
	129	41	10.77		9.1						
	138	38	10.11		9.6						
	146	36	9.49		9.8						
	15	351	92.89		0.81	<b>ER 47</b>	4P	35			
	16	331	87.69		0.86						
	17	315	83.34	★	0.90				<b>ERF 47</b>	4P	35
18	293	77.64	★	0.97							
19	274	72.53	★	1.04							
20	257	67.93	★	1.11							
22	241	63.77	★	1.18							
23	227	59.99		1.26							
25	214	56.54		1.33							
26	202	53.38		1.41							
28	186	49.09	★	1.54							
31	171	45.29		1.67							
33	158	41.88		1.80							
36	147	38.82		1.94							
39	136	36.05		2.1							
41	127	33.52		2.2							
45	118	31.22		2.4							
48	110	29.11		2.6							
51	103	27.17		2.8							
61	86	22.75		3.3							
50	105	27.73	★	2.7	<b>ER 47</b>	4P	35				
58	90	23.81	★	3.2							
63	84	22.18	★	3.4				<b>ERF 47</b>	4P	35	
67	78	20.72	★	3.6							
72	73	19.41	★	3.8							
76	69	18.22	★	4.0							
81	65	17.14		4.1							
86	61	16.15		4.3							
99	53	14.03	★	4.7							
107	49	12.94		4.9							
116	45	11.97		5.1							
135	39	10.30		5.6							

# ER SERIES REDUCTOR

Power (kW)	Output speed (r/min)	Output torque (N · m)	Ratio (i)	Service factor (fB)	Type	Motor pole	Weight (kg)				
<b>0.55</b>	145	36	9.58	5.9	<b>ER 47</b>	4P	35				
	156	34	8.92	6.2							
	179	29	7.76	5.3							
	184	29	7.55	5.4							
	199	26	7.00	5.7							
	214	25	6.50	6.1							
	230	23	6.05	6.5							
	247	21	5.63	6.9							
	284	19	4.90	7.7							
	23	229	60.51	★	0.83	<b>ER 37</b>	4P	30			
	25	209	55.30		0.91						
	27	191	50.65		0.99	<b>ERF 37</b>	4P	32			
	30	176	46.45		1.08						
	33	161	42.66		1.18						
	37	143	37.96	★	1.32						
	40	130	34.51	★	1.46						
	44	119	31.46	★	1.60						
	48	109	28.76		1.75						
	53	100	26.34		1.91						
	58	91	24.16		2.1						
	48	110	29.20	★	1.72				<b>ER 37</b>	4P	30
	52	102	26.96	★	1.73						
	56	94	24.98	★	2.0				<b>ERF 37</b>	4P	32
	64	82	21.66	★	2.3						
	69	76	20.24	★	2.5						
	73	72	18.96	★	2.7						
78	67	17.80		2.8							
88	60	15.76	★	3.2							
96	55	14.44	★	3.3							
105	50	13.27		3.6							
114	46	12.22		3.8							
133	39	10.43		4.1							
144	36	9.65		4.3							
174	30	8.00		4.9							
204	26	6.80		5.3							
239	22	5.82		6.1							
278	19	5.00		6.8							
327	16	4.25		7.5							
354	15	3.93		7.8							
413	13	3.37		8.4							
36	145	38.37	★	0.85	<b>ER 27</b>	4P	25				
39	134	35.47	★	0.92							
42	124	32.84		1.00	<b>ERF 27</b>	4P	25				
49	107	28.27		1.16							
56	94	24.77	★	1.32							
48	110	29.15	★	1.12							
52	101	26.80	★	1.22	<b>ER 27</b>	4P	25				
56	94	24.74	★	1.32							
61	87	22.93	★	1.43							
70	75	19.88	★	1.64							
75	70	18.58	★	1.76							
80	66	17.40	★	1.88							
85	62	16.33		2.0							
90	58	15.36		2.1							
96	55	14.47		2.3							
102	52	13.64		2.4							
108	49	12.88		2.5							
114	46	12.18		2.7							
134	39	10.35		3.0							
157	33	8.86		3.3							
169	31	8.21		3.6							
175	30	7.96	★	3.5							
191	27	7.27	★	3.8							
209	25	6.67	★	4.0							
227	23	6.13		4.2							
246	21	5.64		4.4							
267	20	5.21		4.6							



# ER SERIES REDUCTOR

Power (kW)	Output speed (r/min)	Output torque (N · m)	Ratio (i)	Service factor (fB)	Type	Motor pole	Weight (kg)	
<b>0.55</b>	289	18	4.81	4.9	<b>ER 27</b>	4P	25	
	312	17	4.45	5.1				
	337	16	4.13	5.3				
	363	14	3.83	5.6				
	421	12	3.30	6.0				
	70	75	19.96	★	1.07	<b>ER 17</b>	4P	23
	82	64	16.86	★	1.27			
	89	59	15.59	★	1.37	<b>ERF 17</b>	4P	23
	96	55	14.45	★	1.48			
	103	51	13.44	★	1.59			
	111	47	12.53	★	1.71			
	119	44	11.70	★	1.74			
	127	41	10.95		1.84			
	135	39	10.26		1.89			
	144	36	9.64		1.98			
	153	34	9.06		2.1			
	163	32	8.52		2.1			
	173	30	8.03		1.85			
	184	29	7.57		1.86			
	195	27	7.14		1.94			
	221	24	6.28		2.2			
	236	22	5.89		2.3			
	251	21	5.53		2.4			
	267	20	5.20		2.5			
	284	18	4.89		2.5			
	302	17	4.61		2.6			
	320	16	4.34		2.7			
	339	15	4.10		2.8			
	359	15	3.87		2.9			
	165	32	5.35	★	2.2	<b>R 61</b>	6P	30
	189	28	4.68	★	2.8			
	201	26	4.40	★	2.9	<b>RF61</b>	6P	31
	214	25	4.14	★	3.3			
	226	23	3.91	★	3.6			
	239	22	3.70	★	3.8			
	253	21	3.50	★	4.1			
	277	19	3.20	★	5.0			
	340	15	2.60	★	7.3			
	390	13	2.27		9.2			
	260	20	5.35	★	3.5	<b>R 61</b>	4P	28
	297	18	4.68	★	4.4			
	316	17	4.40	★	4.6	<b>RF61</b>	4P	29
	336	16	4.14	★	5.2			
	355	15	3.91	★	5.6			
	376	14	3.70	★	5.9			
	397	13	3.50	★	6.5			
	434	12	3.20	★	7.9			
535	9.8	2.60	★	11				
612	8.6	2.27		14				
321	16	4.33	★	3.9	<b>R 41</b>	4P	24	
343	15	4.05	★	4.2				
366	14	3.80	★	4.6	<b>RF41</b>	4P	25	
389	13	3.57	★	4.9				
414	13	3.36	★	4.9				
438	12	3.17	★	5.2				
489	11	2.84	★	5.9				
517	10	2.69	★	6.4				
543	9.7	2.56	★	6.8				
632	8.3	2.20		7.9				
728	7.2	1.91		9.1				
832	6.3	1.67		10				
<b>0.75</b>	0.30	20198	4611	0.85	<b>ER 167ER97</b>	4P	971	
	0.34	18067	4125	0.95				
	0.52	11714	2674	1.46	<b>ERF 167ER97</b>	4P	981	
	0.59	10233	2336	1.67				
	0.67	9138	2086	1.87				
	0.95	6411	1464	2.7				

# ER SERIES REDUCTOR

Power (kW)	Output speed (r/min)	Output torque (N · m)	Ratio (i)	Service factor (fB)	Type	Motor pole	Weight (kg)			
<b>0.75</b>	0.42	14623	3339	0.84	<b>ER 147ER77</b>	4P	552			
	0.47	12909	2947	0.96						
	0.54	11251	2569	1.10	<b>ERF 147ER77</b>	4P	562			
	0.62	9897	2260	1.25						
	0.71	8522	1946	1.45						
	0.81	7488	1710	1.65						
	0.90	6784	1549	1.82						
	1.0	5932	1354	2.1						
	1.2	5220	1192	2.4						
	0.67	9090	2075	0.84				<b>ER 137ER77</b>	4P	372
0.74	8172	1866	0.93							
0.76	8063	1841	0.94	<b>ERF 137ER77</b>	4P	392				
0.86	7086	1618	1.07							
0.89	6872	1569	1.11							
0.97	6254	1428	1.22							
1.0	6020	1374	1.26							
1.1	5522	1261	1.38							
1.1	5323	1215	1.43							
1.3	4677	1068	1.63							
1.4	4230	966	1.80							
1.7	3585	819	2.1							
1.9	3261	745	2.3							
1.2	4946	1129	0.83	<b>ER 107ER77</b>	4P	272				
1.3	4715	1076	0.87							
1.5	4102	937	1.00	<b>ERF 107ER77</b>	4P	277				
1.5	4013	916	1.02							
1.6	3707	846	1.10							
1.7	3590	820	1.14							
3.7	1636	374	2.5							
4.3	1430	327	2.9							
2.2	2772	633	1.03				<b>ER 97ER57</b>	4P	178	
2.5	2458	561	1.16							
2.9	2125	485	1.34							
3.3	1868	427	1.53							
3.7	1648	376	1.73							
4.1	1476	337	1.93							
4.7	1301	297	2.2							
5.6	1083	247	2.6							
3.5	1728	395	0.85	<b>ER 87ER57</b>	4P	128				
3.8	1583	361	0.93							
4.0	1537	351	0.96	<b>ERF 87ER57</b>	4P	135				
4.5	1343	307	1.10							
4.7	1298	296	1.13							
5.1	1197	273	1.23							
5.4	1126	257	1.31							
5.9	1026	234	1.44							
2.7	2628	249.55	★				1.55	<b>ER 107</b>	8P	231
2.9	2453	232.91	★				1.67			
3.3	2158	204.89	★	1.89						
4.1	1747	221.98	★	1.63	<b>ERF 107</b>	8P	236			
4.7	1510	191.83	★	1.89						
5.4	1322	168.02	★	2.2						
4.9	1474	286.06	★	1.93	<b>ER 97</b>	4P	146			
5.5	1309	254.02	★	2.2						
5.8	1238	240.29	★	2.3	<b>ERF 97</b>	4P	161			
6.3	1144	221.98	★	2.5						
6.7	1061	205.96	★	2.7						
7.2	988	191.83	★	2.9						
7.8	924	179.26		3.1						
8.3	866	168.02		3.3						
9.3	766	148.75		3.7						
11	672	130.44		4.2						

# ER SERIES REDUCTOR

Power (kW)	Output speed (r/min)	Output torque (N · m)	Ratio (i)	Service factor (fB)	Type	Motor pole	Weight (kg)	
<b>0.75</b>	12	595	115.46	4.8	<b>ER 97</b>	4P	146	
	13	561	108.95	5.1		<b>ERF 97</b>	4P	161
	4.3	1661	211.01	★	<b>ER 87</b>	6P	101	
	4.6	1549	196.79	★		<b>ERF 87</b>	6P	108
	4.9	1449	184.15	★				
	5.9	1208	153.46	★				
	6.3	1142	145.09	★				
	5.7	1265	245.54	★	<b>ER 87</b>	4P	96	
	6.6	1087	211.01	★		<b>ERF 87</b>	4P	103
	7.1	1014	196.79	★				
	7.5	949	184.15	★				
	9.1	791	153.46	★				
	9.6	748	145.09					
	11	623	120.96	★				
	12	580	112.54					
	13	541	105.00					
	14	512	99.30					
	15	474	92.08					
	17	411	79.80					
	19	384	74.54					
	20	359	69.76					
	8.0	892	173.08	★	<b>ER 77</b>	4P	66	
	8.7	820	159.23	★		<b>ERF 77</b>	4P	72
	9.4	758	147.12	★				
	10	703	136.43	★				
	12	610	118.42	★				
	13	571	110.77	★				
	13	535	103.85					
	15	479	92.91					
	16	446	86.54					
	17	416	80.77					
	18	389	75.52					
	20	364	70.74					
	21	342	66.35					
	22	321	62.31					
	24	302	58.58					
	27	268	51.92					
	30	239	46.42					
	32	223	43.24					
	34	208	40.35					
	37	194	37.73					
	39	182	35.34					
	42	171	33.15					
	45	160	31.13					
	47	151	29.27					
54	134	25.94						
11	682	132.36	★	<b>ER 67</b>	4P	56		
11	640	124.26	★		<b>ERF 67</b>	4P	59	
12	602	116.89						
13	568	110.17						
13	536	104.00						
14	507	98.33						
16	455	88.24						
19	382	74.18	★					
20	358	69.48	★					
21	336	65.22	★					
23	316	61.36						
24	298	57.82						
25	281	54.59						
27	266	51.61						
30	239	46.32						
32	221	42.83						
35	205	39.70						
38	190	36.86						
41	177	34.29						
44	165	31.93						
47	153	29.78						

# ER SERIES REDUCTOR

Power (kW)	Output speed (r/min)	Output torque (N · m)	Ratio (i)	Service factor (fB)	Type	Motor pole	Weight (kg)
<b>0.75</b>	13	546	105.93	0.80	ER 57 ERF 57	4P 4P	44 48
	14	514	99.84	0.83			
	15	486	94.25	0.88			
	16	459	89.11	0.93			
	17	412	79.97	1.04			
	20	351	68.05	★ 1.22			
	22	329	63.88	★ 1.30			
	23	310	60.10	1.38			
	25	292	56.64	1.46			
	26	276	53.47	1.55			
	27	260	50.55	1.64			
	28	253	49.18	★ 1.69			
	31	234	45.37	1.83			
	33	216	41.96	1.98			
	36	200	38.89	2.1			
	38	186	36.11	2.3			
	41	173	33.58	2.5			
	44	161	31.28	2.7			
	48	150	29.16	2.8			
	51	140	27.22	3.0			
	53	136	26.36	★ 3.1			
	57	125	24.25	★ 3.4			
	62	115	22.41	★ 3.7			
	67	107	20.78	★ 4.0			
	77	93	18.04	★ 4.6			
	82	87	16.87	★ 4.9			
	88	82	15.82	5.1			
	91	78	15.23	5.3			
	98	73	14.15	5.6			
	105	68	13.18	5.9			
	113	63	12.30	6.1			
	121	59	11.50	6.5			
	129	56	10.77	6.7			
138	52	10.11	7.0				
146	49	9.49	7.2				
156	46	8.92	7.7				
20	350	67.93	★ 0.81				
22	329	63.77	★ 0.87				
23	309	59.99	0.92				
25	291	56.54	0.98				
26	275	53.38	1.04				
28	253	49.09	★ 1.13				
31	233	45.29	1.22				
33	216	41.88	1.32				
36	200	38.82	1.42				
39	186	36.05	1.53				
41	173	33.52	1.65				
45	161	31.22	1.77				
48	150	29.11	1.90				
51	140	27.17	2.0				
61	117	22.75	2.4				
50	143	27.73	★ 1.99				
58	123	23.81	★ 2.3				
63	114	22.18	★ 2.5				
67	107	20.72	★ 2.6				
72	100	19.41	★ 2.8				
76	94	18.22	★ 2.9				
81	88	17.14	3.0				
86	83	16.15	3.1				
99	72	14.03	★ 3.5				
107	67	12.94	3.6				
116	62	11.97	3.8				
135	53	10.30	4.1				
145	49	9.58	4.3				
156	46	8.92	4.5				
179	40	7.76	3.9				
184	39	7.55	3.9				

# ER SERIES REDUCTOR

Power (kW)	Output speed (r/min)	Output torque (N · m)	Ratio (i)	Service factor (fB)	Type	Motor pole	Weight (kg)				
<b>0.75</b>	199	36	7.00	4.2	<b>ER 47</b>	4P	36				
	214	33	6.50	4.5							
	230	31	6.05	4.8							
	247	29	5.63	5.1							
	284	25	4.90	5.6							
	30	239	46.45		0.80	<b>ER 37</b>	4P	31			
	33	220	42.66		0.86						
	37	196	37.96	★	0.97						
	40	178	34.51	★	1.07						
	44	162	31.46	★	1.17						
	48	148	28.76		1.28						
	53	136	26.34		1.40						
	58	124	24.16		1.53						
	48	150	29.20	★	1.26				<b>ERF 37</b>	4P	33
	52	139	26.96	★	1.27						
	56	129	24.98	★	1.48						
	64	112	21.66	★	1.70						
	69	104	20.24	★	1.82						
	73	98	18.96	★	1.94						
	78	92	17.80		2.1						
	88	81	15.76	★	2.3						
	96	74	14.44	★	2.4						
	105	68	13.27		2.6						
	114	63	12.22		2.8						
	133	54	10.43		3.0						
	144	50	9.65		3.2						
	174	41	8.00		3.6						
	204	35	6.80		3.9						
	239	30	5.82		4.5						
	278	26	5.00		5.0						
	327	22	4.25		5.5						
	354	20	3.93		5.7						
	413	17	3.37		6.1						
	49	146	28.27		0.85	<b>ER 27</b>	4P	26			
	56	128	24.77	★	0.97						
	48	150	29.15	★	0.82	<b>ERF 27</b>	4P	26			
	52	138	26.80	★	0.89						
	56	128	24.74	★	0.97						
	61	118	22.93	★	1.05						
	70	102	19.88	★	1.21						
	75	96	18.58	★	1.29						
	80	90	17.40	★	1.38						
	85	84	16.33		1.47						
	90	79	15.36		1.56						
	96	75	14.47		1.66						
102	70	13.64		1.76							
108	66	12.88		1.86							
114	63	12.18		1.95							
134	53	10.35		2.2							
157	46	8.86		2.4							
169	42	8.21		2.6							
175	41	7.96	★	2.6							
191	37	7.27	★	2.8							
209	34	6.67	★	2.9							
227	32	6.13		3.1							
246	29	5.64		3.2							
267	27	5.21		3.4							
289	25	4.81		3.6							
312	23	4.45		3.7							
337	21	4.13		3.9							
363	20	3.83		4.1							
421	17	3.30		4.4							
70	103	19.96	★	0.80	<b>ER 17</b>	4P	24				
82	87	16.86	★	0.93							
89	80	15.59	★	1.01							

# ER SERIES REDUCTOR

Power (kW)	Output speed (r/min)	Output torque (N·m)	Ratio (i)		Service factor (fB)	Type	Motor pole	Weight (kg)
<b>0.75</b>	96	74	14.45	★	1.08	<b>ER 17</b>	4P	24
	103	69	13.44	★	1.17			
	111	65	12.53	★	1.25			
	119	60	11.70	★	1.28			
	127	56	10.95		1.35			
	135	53	10.26		1.38			
	144	50	9.64		1.45			
	153	47	9.06		1.53			
	163	44	8.52		1.56			
	173	41	8.03		1.35			
	184	39	7.57		1.36			
	195	37	7.14		1.42			
	221	32	6.28		1.58			
	236	30	5.89		1.66			
	251	28	5.53		1.73			
	267	27	5.20		1.81			
	284	25	4.89		1.85			
	302	24	4.61		1.92			
	320	22	4.34		1.99			
	339	21	4.10		2.1			
	359	20	3.87		2.1			
	260	28	5.35	★	2.6	<b>R 1</b>	4P	29
	297	24	4.68	★	3.2			
	316	23	4.40	★	3.4			
	336	21	4.14	★	3.8			
	355	20	3.91	★	4.1			
	376	19	3.70	★	4.3			
	397	18	3.50	★	4.7			
	434	16	3.20	★	5.8			
	535	13	2.60	★	8.4			
	612	12	2.27		11			
	321	22	4.33	★	2.9			
	343	21	4.05	★	3.1			
	366	20	3.80	★	3.3			
	389	18	3.57	★	3.6			
	414	17	3.36	★	3.6			
	438	16	3.17	★	3.8			
	489	15	2.84	★	4.3			
	517	14	2.69	★	4.7			
543	13	2.56	★	5.0				
632	11	2.20		5.8				
728	9.8	1.91		6.7				
832	8.6	1.67		7.6				
<b>1.1</b>	0.52	17057	2674		1.00	<b>ER 167ER97</b>	4P	976
	0.60	14901	2336		1.15			
	0.67	13307	2086		1.29			
	0.75	11935	1871		1.43			
	0.84	10645	1669		1.61			
	0.96	9335	1464		1.83			
	1.1	8278	1298		2.1			
	1.3	7125	1117		2.4			
	0.62	14411	2260		0.86	<b>ERF 147ER77</b>	4P	557
	0.72	12410	1946		1.00			
	0.82	10904	1710		1.13			
	0.90	9879	1549		1.25			
	1.0	8638	1354		1.43			
	1.2	7601	1192		1.62			
	1.4	6590	1033		1.87			
	1.6	5728	898		2.2			
	1.8	5016	786		2.5			
	2.0	4433	695		2.8			
	0.98	9106	1428		0.83	<b>ERF 137ER77</b>	4P	377
	1.0	8766	1374		0.87			
	1.1	8041	1261		0.95			
	1.2	7751	1215		0.98			
	1.3	7070	1109		1.07			

# ER SERIES REDUCTOR

Power (kW)	Output speed (r/min)	Output torque (N·m)	Ratio (i)	Service factor (fB)	Type	Motor pole	Weight (kg)
<b>1.1</b>	1.3	6810	1068	1.12	<b>ER 137ER77</b> <b>ERF 137ER77</b>	4P	377
	1.3	6622	1038	1.15		4P	397
	1.4	6160	966	1.23			
	1.6	5675	890	1.34			
	1.7	5221	819	1.46			
	1.9	4749	745	1.60			
	2.2	3983	624	1.91			
	2.5	3623	568	2.1			
	2.8	3173	498	2.4			
	1.9	4604	722	0.89	<b>ER 107ER77</b> <b>ERF 107ER77</b>	4P	277
	2.3	3954	620	1.03		4P	282
	2.6	3460	542	1.18			
	2.8	3161	496	1.29			
	3.4	2643	414	1.55			
	3.7	2382	374	1.71			
	4.3	2083	327	1.96			
	4.9	1817	285	2.2			
	5.5	1616	253	2.5			
	3.3	2720	427	1.05	<b>ER 97ER57</b> <b>ERF 97ER57</b>	4P	183
	3.7	2400	376	1.19		4P	188
	4.2	2149	337	1.33			
	4.7	1895	297	1.50			
	5.7	1577	247	1.81			
	6.0	1485	233	1.92			
	6.7	1334	209	2.1			
	5.1	1744	273	0.84	<b>ER 87ER57</b> <b>ERF 87ER57</b>	4P	133
5.4	1639	257	0.90	4P		140	
6.0	1494	234	0.99				
6.1	1471	231	1.00				
6.8	1317	206	1.12				
7.2	1238	194	1.19				
2.7	3855	249.55	★	1.06	<b>ER 107</b> <b>ERF 107</b>	8P	234
2.9	3598	232.91	★	1.14		8P	239
3.3	3165	204.89	★	1.29			
3.9	2664	172.41		1.53			
3.6	2932	254.02	★	0.97	<b>ER 97</b> <b>ERF 97</b>	6P	155
3.8	2774	240.29	★	1.03		6P	170
4.1	2563	221.98	★	1.11			
4.7	2214	191.83	★	1.29			
5.5	1906	254.02	★	1.50	<b>ER 97</b> <b>ERF 97</b>	4P	151
5.8	1803	240.29	★	1.58		4P	166
6.3	1666	221.98	★	1.71			
6.8	1545	205.96	★	1.84			
7.3	1439	191.83	★	1.98			
7.8	1345	179.26	★	2.1			
8.3	1261	168.02	★	2.3			
9.4	1116	148.75		2.6			
11	979	130.44		2.9			
12	866	115.46		3.3			
13	818	108.95		3.5			
14	773	102.98		3.7			
14	732	97.49		3.9			
15	693	92.42		4.1			
16	642	85.50	★	4.4			
17	602	80.17		4.7			
20	532	70.96		5.4			
21	502	66.96		5.7			
22	475	63.29		6.0			
23	450	59.92		6.3			
26	405	53.91		7.0			
6.6	1583	211.01	★	0.93	<b>ER 87</b> <b>ERF 87</b>	4P	101
7.1	1477	196.79	★	1.00		4P	108
7.6	1382	184.15	★	1.07			
9.1	1152	153.46	★	1.28			

# ER SERIES REDUCTOR

Power (kW)	Output speed (r/min)	Output torque (N · m)	Ratio (i)		Service factor (fB)	Type	Motor pole	Weight (kg)				
<b>1.1</b>	9.6	1089	145.09	★	1.35	<b>ER 87</b> <b>ERF 87</b>	4P 4P	101 108				
	12	908	120.96	★	1.62							
	12	844	112.54	★	1.74							
	13	788	105.00	★	1.87							
	14	745	99.30	★	1.98							
	15	691	92.08	★	2.1							
	18	599	79.80		2.5							
	19	559	74.54		2.6							
	20	523	69.76		2.8							
	21	491	65.39		3.0							
	23	461	61.38		3.2							
	24	429	57.20		3.4							
	26	401	53.38		3.7							
	28	374	49.88		3.9							
	30	350	46.65		4.2							
	37	281	37.47		5.2							
	43	244	32.58		6.0							
	49	214	28.48		6.7							
		12	889	118.42	★				0.88	<b>ER 77</b> <b>ERF 77</b>	4P 4P	71 77
		13	831	110.77	★				0.94			
		13	779	103.85	★				1.00			
		15	697	92.91	★				1.12			
		16	649	86.54					1.20			
		17	606	80.77					1.29			
		19	567	75.52					1.37			
		20	531	70.74					1.47			
		21	498	66.35					1.56			
		22	468	62.31					1.67			
		24	440	58.58					1.77			
		27	390	51.92					2.0			
		30	348	46.42	★				2.2			
		32	324	43.24					2.4			
		35	303	40.35					2.6			
		37	283	37.73					2.8			
		40	265	35.34					2.9			
	42	249	33.15		3.1							
	45	234	31.13		3.3							
	48	220	29.27		3.5							
	54	195	25.94		3.8							
	16	662	88.24		0.86	<b>ER 67</b> <b>ERF 67</b>	4P 4P	61 64				
	19	557	74.18	★	1.02							
	20	521	69.48	★	1.09							
	21	489	65.22	★	1.16							
	23	460	61.36	★	1.24							
	24	434	57.82	★	1.31							
	26	410	54.59	★	1.39							
	27	387	51.61		1.47							
	30	348	46.32	★	1.64							
	33	321	42.83	★	1.74							
	35	298	39.70		1.85							
	38	277	36.86		1.96							
	41	257	34.29		2.0							
	44	240	31.93		2.1							
	47	223	29.78		2.2							
	48	218	29.09	★	2.4	<b>ER 67</b> <b>ERF 67</b>	4P 4P	61 64				
	52	201	26.76	★	2.6							
	57	186	24.73	★	2.8							
	61	172	22.93	★	3.1							
	70	149	19.90	★	3.8							
	75	140	18.62	★	4.0							
	80	131	17.45	★	4.3							
	90	117	15.62	★	4.5							
	96	109	14.55		4.8							
	103	102	13.58		5.0							
	110	95	12.69		5.2							
	118	89	11.89		5.3							
	126	84	11.15		5.7							
	134	79	10.47		5.7							



# ER SERIES REDUCTOR

Power (kW)	Output speed (r/min)	Output torque (N · m)	Ratio (i)	Service factor (fB)	Type	Motor pole	Weight (kg)					
<b>1.1</b>	142	74	9.85	6.0	<b>ER 67</b>	4P	61					
	160	65	8.73	6.4			<b>ERF 67</b>	4P	64			
	183	58	7.67	6.3								
	195	54	7.17	6.5								
	209	50	6.71	6.6								
	222	47	6.30	6.6								
	237	44	5.91	6.9								
	252	42	5.56	7.1								
	284	37	4.93	7.4								
	21	511	68.05	★	0.84	<b>ER 57</b>	4P	49				
	22	479	63.88	★	0.89			<b>ERF 57</b>	4P	53		
	23	451	60.10	★	0.95							
	25	425	56.64	★	1.01							
	26	401	53.47	★	1.07							
	28	379	50.55		1.13							
	28	369	49.18	★	1.16							
	31	340	45.37	★	1.26							
	33	315	41.96	★	1.36							
	36	292	38.89		1.47							
	39	271	36.11		1.58							
	42	252	33.58		1.70							
	45	235	31.28		1.82							
	48	219	29.16		1.95							
	51	204	27.22		2.1							
	53	198	26.36	★	2.2	<b>ER 57</b>	4P	49				
	58	182	24.25	★	2.3			<b>ERF 57</b>	4P	53		
	62	168	22.41	★	2.5							
	67	156	20.78	★	2.7							
78	135	18.04	★	3.2								
83	127	16.87	★	3.4								
89	119	15.82	★	3.5								
92	114	15.23	★	3.6								
99	106	14.15	★	3.8								
106	99	13.18		4.0								
114	92	12.30		4.2								
122	86	11.50		4.5								
130	81	10.77		4.6								
139	76	10.11		4.8								
148	71	9.49		4.9								
157	67	8.92		5.3								
29	368	49.09	★	0.80	<b>ER 47</b>	4P	41					
31	340	45.29	★	0.84			<b>ERF 47</b>	4P	41			
33	314	41.88	★	0.91								
36	291	38.82		0.98								
39	270	36.05		1.05								
42	252	33.52		1.13								
45	234	31.22		1.22								
48	218	29.11		1.30								
52	204	27.17		1.40								
62	171	22.75		1.67								
59	179	23.81	★	1.60	<b>ER 47</b>	4P			41			
63	166	22.18	★	1.71			<b>ERF 47</b>	4P	41			
68	155	20.72	★	1.80								
72	146	19.41	★	1.90								
77	137	18.22	★	2.0								
82	129	17.14	★	2.1								
87	121	16.15	★	2.2								
100	105	14.03	★	2.4								
108	97	12.94	★	2.4								
117	90	11.97	★	2.6								
136	77	10.30		2.8								
146	72	9.58		3.0								
157	67	8.92		3.1								
180	58	7.76		2.7								
185	57	7.55	★	2.7								
200	53	7.00		2.9								
215	49	6.50		3.1								

# ER SERIES REDUCTOR

Power (kW)	Output speed (r/min)	Output torque (N · m)	Ratio (i)		Service factor (fB)	Type	Motor pole	Weight (kg)
<b>1.1</b>	232	45	6.05		3.3	<b>ER 47</b>	4P	41
	249	42	5.63		3.5		<b>ERF47</b>	4P
	286	37	4.90		3.9			
	44	236	31.46	★	0.80	<b>ER 37</b>	4P	36
	49	216	28.76	★	0.88		<b>ERF37</b>	4P
	53	198	26.34	★	0.96			
	58	181	24.16		1.05			
	48	219	29.20	★	0.87	<b>ER 37</b>	4P	36
	52	202	26.96	★	0.87		<b>ERF37</b>	4P
	56	187	24.98	★	1.01			
	65	162	21.66	★	1.17			
	69	152	20.24	★	1.25			
	74	142	18.96	★	1.34			
	79	134	17.80	★	1.42			
	89	118	15.76	★	1.61			
	97	108	14.44	★	1.67			
	105	100	13.27	★	1.81			
	115	92	12.22	★	1.90			
	134	78	10.43		2.1			
	145	72	9.65		2.2			
	175	60	8.00	★	2.5			
	206	51	6.80		2.7			
	241	44	5.82		3.1			
	280	38	5.00	★	3.4			
	329	32	4.25		3.8			
	356	29	3.93		3.9			
	415	25	3.37		4.2			
	70	149	19.88	★	0.83	<b>ER 27</b>	4P	31
	75	139	18.58	★	0.89		<b>ERF27</b>	4P
	80	131	17.40	★	0.95			
	86	123	16.33	★	1.01			
	91	115	15.36	★	1.07			
	97	109	14.47	★	1.14			
	103	102	13.64		1.21			
	109	97	12.88		1.28			
	115	91	12.18		1.34			
	135	78	10.35		1.49			
	158	66	8.86		1.66			
	171	62	8.21		1.79			
	176	60	7.96	★	1.78			
	192	55	7.27	★	1.90			
	210	50	6.67	★	2.0			
	229	46	6.13	★	2.1			
	248	42	5.64	★	2.2			
	269	39	5.21		2.3			
	291	36	4.81		2.4			
	314	33	4.45		2.6			
	339	31	4.13		2.7			
	366	29	3.83		2.8			
	424	25	3.30		3.0			
	257	41	5.45	★	2.6	<b>R 71</b>	4P	51
	272	39	5.14	★	2.5		<b>RF71</b>	4P
	304	35	4.61	★	3.4			
	320	33	4.38	★	4.1			
	370	28	3.78	★	5.1			
	424	25	3.30		7.0			
	481	22	2.91		9.4			
	543	19	2.58		11			
	606	17	2.31		11			
	676	16	2.07		12			
	749	14	1.87		13			
	870	12	1.61		14			
	1007	10	1.39		14			
	299	35	4.68	★	2.2	<b>R 61</b>	4P	34
	318	33	4.40	★	2.3		<b>RF61</b>	4P
	338	31	4.14	★	2.6			

# ER SERIES REDUCTOR

Power (kW)	Output speed (r/min)	Output torque (N · m)	Ratio (i)		Service factor (fB)	Type	Motor pole	Weight (kg)
<b>1.1</b>	358	29	3.91	★	2.8	<b>R 61</b> <b>RF 61</b>	4P	34
	378	28	3.70	★	3.0		4P	35
	400	26	3.50	★	3.3			
	438	24	3.20	★	4.0			
	538	20	2.60	★	5.7			
	617	17	2.27		7.3			
	791	13	1.77		9.0			
	892	12	1.57		9.2			
	1000	11	1.40		9.4			
	368	29	3.80	★	2.3		<b>R 41</b> <b>RF41</b>	4P
	392	27	3.57	★	2.4	4P		31
	417	25	3.36	★	2.4			
	442	24	3.17	★	2.6			
	493	21	2.84	★	3.0			
	520	20	2.69	★	3.2			
	547	19	2.56	★	3.4			
	636	17	2.20		4.0			
	733	14	1.91		4.6			
	838	13	1.67		5.2			
959	11	1.46		5.9				
1085	9.7	1.29		6.2				
<b>1.5</b>	0.60	20319	2336		0.84	<b>ER 167ER97</b> <b>ERF 167ER97</b>	4P	980
	0.67	18146	2086		0.94		4P	990
	0.75	16275	1871		1.05			
	0.84	14515	1669		1.18			
	0.96	12730	1464		1.34			
	1.1	11288	1298		1.51			
	1.3	9716	1117		1.76			
	1.4	8695	1000		1.97			
	3.3	3668	422		3.4	<b>ER 147ER87</b> <b>ERF 147ER87</b>	4P	592
	3.8	3209	369		3.8		4P	602
	0.82	14868	1710		0.83	<b>ER 147ER77</b> <b>ERF 147ER77</b>	4P	561
	0.90	13471	1549		0.92		4P	571
	1.0	11779	1354		1.05			
	1.2	10365	1192		1.19			
	1.4	8986	1033		1.37			
	1.6	7811	898		1.58			
	1.8	6839	786		1.81			
	2.0	6045	695		2.0			
	2.2	5490	631		2.2			
	2.5	4814	553		2.6			
	1.3	9287	1068		0.82	<b>ER 137ER77</b> <b>ERF 137ER77</b>	4P	381
	1.3	9030	1038		0.84		4P	401
	1.4	8400	966		0.90			
	1.6	7738	890		0.98			
	1.7	7119	819		1.07			
	1.9	6476	745		1.17			
	2.0	5970	686		1.27			
	2.2	5431	624		1.40			
	2.3	5228	601		1.45			
	2.5	4940	568		1.54			
	2.8	4327	498		1.76			
	3.3	3652	420		2.1			
	3.6	3361	386		2.3			
	4.3	2840	326		2.7			
	2.6	4718	542		0.87	<b>ER 107ER77</b> <b>ERF 107ER77</b>	4P	281
	2.7	4594	528		0.89		4P	286
	2.8	4311	496		0.95			
	3.0	4084	470		1.00			
	3.4	3604	414		1.13			
	3.7	3249	374		1.26			
4.3	2840	327		1.44				

# ER SERIES REDUCTOR

Power (kW)	Output speed (r/min)	Output torque (N · m)	Ratio (i)	Service factor (fB)	Type	Motor pole	Weight (kg)
<b>1.5</b>	4.2	2930	337	0.97	ER 97ER57 ERF 97ER57	4P 4P	187 192
	4.7	2583	297	1.10			
	5.7	2150	247	1.33			
	6.0	2026	233	1.41			
	6.7	1820	209	1.57			
	3.0	4835	232.91 ★	0.84	ER 107 ERF 107	8P 8P	242 247
	3.4	4254	204.89 ★	0.96			
	4.0	3579	172.41	1.14			
	4.4	3224	155.27	1.27			
	3.7	3886	249.55 ★	1.05	ER 107 ERF 107	6P 6P	231 236
	4.0	3627	232.91 ★	1.13			
	4.5	3190	204.89 ★	1.28			
	5.3	2685	172.41	1.52			
	5.9	2418	155.27	1.69			
	6.3	2263	145.35	1.80			
	5.5	2599	254.02 ★	1.10	ER 97 ERF 97	4P 4P	155 170
	5.8	2459	240.29 ★	1.16			
	6.3	2271	221.98 ★	1.25			
	6.8	2107	205.96 ★	1.35			
	7.3	1963	191.83 ★	1.45			
	7.8	1834	179.26 ★	1.55			
	8.3	1719	168.02 ★	1.66			
	9.4	1522	148.75	1.87			
	11	1335	130.44	2.1			
	12	1181	115.46	2.4			
	13	1115	108.95	2.6			
14	1054	102.98	2.7				
14	998	97.49	2.9				
15	946	92.42	3.0				
16	875	85.50 ★	3.3				
17	820	80.17	3.5				
20	726	70.96	3.9				
21	685	66.96	4.2				
22	648	63.29	4.4				
23	613	59.92	4.6				
26	552	53.91	5.2				
7.6	1884	184.15 ★	0.80	ER 87 ERF 87	4P 4P	105 112	
9.1	1570	153.46 ★	0.94				
9.6	1485	145.09 ★	0.99				
12	1238	120.96 ★	1.19				
12	1152	112.54 ★	1.28				
13	1074	105.00 ★	1.37				
14	1016	99.30 ★	1.45				
15	942	92.08 ★	1.56				
18	817	79.80	1.80				
19	763	74.54	1.93				
20	714	69.76	2.1				
21	669	65.39	2.2				
23	628	61.38	2.3				
24	585	57.20	2.5				
26	546	53.38	2.7				
28	510	49.88	2.9				
30	477	46.65	3.1				
34	419	40.92	3.5				
37	383	37.47	3.8				
43	333	32.58	4.4				
49	291	28.48	4.9				
15	951	92.91 ★	0.82	ER 77 ERF 77	4P 4P	75 81	
16	885	86.54	0.88				
17	826	80.77	0.94				
19	773	75.52	1.01				
20	724	70.74	1.08				
21	679	66.35	1.15				
22	638	62.31	1.22				
24	599	58.58	1.30				
27	531	51.92	1.47				
30	475	46.42 ★	1.64				

# ER SERIES REDUCTOR

Power (kW)	Output speed (r/min)	Output torque (N · m)	Ratio (i)	Service factor (fB)	Type	Motor pole	Weight (kg)
<b>1.5</b>	32	442	43.24	1.76	<b>ER 77</b> <b>ERF77</b>	4P	75
	35	413	40.35	1.89		4P	81
	37	386	37.73	2.0			
	40	362	35.34	2.2			
	42	339	33.15	2.3			
	45	319	31.13	2.4			
	48	299	29.27	2.6			
	54	265	25.94	2.8			
	59	242	23.65	★ 3.22	<b>ER 77</b> <b>ERF 77</b>	4P	75
	64	225	22.00	★ 3.46		4P	81
	68	210	20.53	★ 3.66			
	72	199	19.41	★ 3.83			
	78	184	18.00	★ 4.02			
	23	628	61.36	★ 0.91	<b>ER 67</b> <b>ERF 67</b>	4P	65
	24	592	57.82	★ 0.96		4P	68
	26	559	54.59	★ 1.02			
	27	528	51.61	1.08			
	30	474	46.32	★ 1.20			
	33	438	42.83	★ 1.28			
	35	406	39.70	1.36			
	38	377	36.86	1.44			
	41	351	34.29	1.50			
	44	327	31.93	1.57			
	47	305	29.78	1.62			
	48	298	29.09	★ 1.72	<b>ER 67</b> <b>ERF 67</b>	4P	65
	52	274	26.76	★ 1.87		4P	68
	57	253	24.73	★ 2.1			
	61	235	22.93	★ 2.3			
	70	204	19.90	★ 2.8			
	75	191	18.62	★ 3.0			
	80	179	17.45	★ 3.1			
	90	160	15.62	★ 3.3			
96	149	14.55	3.5				
103	139	13.58	3.7				
110	130	12.69	3.8				
118	122	11.89	3.9				
126	114	11.15	4.2				
134	107	10.47	4.2				
142	101	9.85	4.4				
160	89	8.73	4.7				
183	78	7.67	4.6				
195	73	7.17	4.8				
209	69	6.71	4.8				
222	64	6.30	4.9				
237	61	5.91	5.0				
252	57	5.56	5.2				
284	50	4.93	5.5				
26	547	53.47	★ 0.80	<b>ER 57</b> <b>ERF 57</b>	4P	53	
28	517	50.55	★ 0.83		4P	67	
28	503	49.18	★ 0.85				
31	464	45.37	★ 0.92				
33	429	41.96	★ 1.00				
36	398	38.89	1.07				
39	369	36.11	1.16				
42	344	33.58	1.24				
45	320	31.28	1.34				
48	298	29.16	1.43				
51	279	27.22	1.53				
53	270	26.36	★ 1.58	<b>ER 57</b> <b>ERF 57</b>	4P	53	
58	248	24.25	★ 1.72		4P	67	
62	229	22.41	★ 1.86				
67	213	20.78	★ 2.0				
78	185	18.04	★ 2.3				
83	173	16.87	★ 2.5				
89	162	15.82	★ 2.6				
92	156	15.23	★ 2.7				

# ER SERIES REDUCTOR

Power (kW)	Output speed (r/min)	Output torque (N · m)	Ratio (i)		Service factor (fB)	Type	Motor pole	Weight (kg)	
<b>1.5</b>	99	145	14.15	★	2.8	<b>ER 57</b> <b>ERF57</b>	4P	53	
	106	135	13.18		3.0		4P	67	
	114	126	12.30		3.1				
	122	118	11.50		3.3				
	130	110	10.77		3.4				
	139	103	10.11		3.5				
	148	97	9.49		3.6				
	157	91	8.92		3.9				
	177	81	7.91		4.2				
	188	76	7.45		4.4				
	224	64	6.25		5.0				
	239	60	5.86		5.1				
	254	56	5.51		5.2				
	270	53	5.18		5.5				
		39	369	36.05	★	0.80	<b>ER 47</b> <b>ERF47</b>	4P	45
		42	343	33.52		0.83		4P	45
		45	319	31.22		0.89			
		48	298	29.11		0.96			
		52	278	27.17		1.03			
		62	233	22.75		1.22			
		59	244	23.81	★	1.17	<b>ER 47</b> <b>ERF47</b>	4P	45
		63	227	22.18	★	1.26		4P	45
		68	212	20.72	★	1.32			
		72	199	19.41	★	1.40			
		77	186	18.22	★	1.48			
		82	175	17.14	★	1.52			
		87	165	16.15	★	1.58			
		100	144	14.03	★	1.75			
		108	132	12.94	★	1.79			
		117	122	11.97	★	1.90			
		136	105	10.30		2.1			
		146	98	9.58		2.2			
	157	91	8.92		2.3				
	180	79	7.76		1.95				
	185	77	7.55	★	1.98				
	200	72	7.00		2.1				
	215	67	6.50		2.3				
	232	62	6.05		2.4				
	249	58	5.63		2.6				
	286	50	4.90		2.8				
	74	194	18.96	★	0.98	<b>ER 37</b> <b>ERF37</b>	4P	40	
	79	182	17.80	★	1.04		4P	42	
	89	161	15.76	★	1.18				
	97	148	14.44	★	1.22				
	105	136	13.27	★	1.33				
	115	125	12.22	★	1.39				
	134	107	10.43		1.51				
	145	99	9.65		1.61				
	175	82	8.00	★	1.81				
	206	70	6.80		1.97				
	241	60	5.82		2.3				
	280	51	5.00	★	2.5				
	329	43	4.25		2.8				
	356	40	3.93		2.9				
	415	34	3.37		3.1				
	91	157	15.36	★	0.80		<b>ER 27</b> <b>ERF27</b>	4P	35
	97	148	14.47	★	0.83	4P		35	
	103	140	13.64		0.88				
	109	132	12.88		0.94				
	115	125	12.18		0.98				
	135	106	10.35		1.09				
	158	91	8.86		1.22				
	171	84	8.21		1.31				
	176	81	7.96	★	1.31				
	192	74	7.27	★	1.39				
	210	68	6.67	★	1.48				
	229	63	6.13	★	1.56				

# ER SERIES REDUCTOR

Power (kW)	Output speed (r/min)	Output torque (N · m)	Ratio (i)		Service factor (fB)	Type	Motor pole	Weight (kg)	
<b>1.5</b>	248	58	5.64	★	1.63	<b>ER 27</b> <b>ERF 27</b>	4P	35	
	269	53	5.21		1.69		4P	35	
	291	49	4.81		1.79				
	314	46	4.45		1.88				
	339	42	4.13		1.96				
	366	39	3.83		2.1				
	424	34	3.30		2.2				
	257	56	5.45	★	1.87	<b>R 71</b> <b>RF71</b>	4P	55	
	272	53	5.14	★	1.86		4P	60	
	304	47	4.61	★	2.5				
	320	45	4.38	★	3.0				
	370	39	3.78	★	3.8				
	424	34	3.30		5.1				
	481	30	2.91		6.9				
	543	26	2.58		7.7				
	606	24	2.31		8.2				
	676	21	2.07		9.0				
	749	19	1.87		9.3				
	870	16	1.61		10				
	1007	14	1.39		10				
	299	48	4.68	★	1.63		<b>R 61</b> <b>RF61</b>	4P	38
	318	45	4.40	★	1.69	4P		39	
	338	42	4.14	★	1.91				
	358	40	3.91	★	2.1				
	378	38	3.70	★	2.2				
	400	36	3.50	★	2.4				
	438	33	3.20	★	2.9				
	538	27	2.60	★	4.2				
	617	23	2.27		5.3				
	791	18	1.77		6.6				
	892	16	1.57		6.7				
	1000	14	1.40		6.9				
	368	39	3.80	★	1.69	<b>R 41</b> <b>RF41</b>		4P	34
	392	37	3.57	★	1.79			4P	35
	417	34	3.36	★	1.80				
	442	32	3.17	★	1.90				
493	29	2.84	★	2.2					
520	28	2.69	★	2.4					
547	26	2.56	★	2.5					
636	23	2.20		2.9					
733	20	1.91		3.4					
838	17	1.67		3.8					
959	15	1.46		4.3					
1085	13	1.29		4.5					
<b>2.2</b>	0.85	20989	1669		0.81		<b>ER 167ER97</b> <b>ERF 167ER97</b>	4P	988
	0.97	18408	1464		0.93			4P	998
	1.1	16323	1298		1.05				
	1.3	14049	1117		1.22				
	1.4	12573	1000		1.36				
	1.6	10945	870		1.56				
	1.9	9649	767		1.77				
	2.2	8233	655		2.1				
	2.7	6687	532		1.85	<b>ER 147ER87</b> <b>ERF 147ER87</b>	4P	600	
	3.1	5839	464		2.1		4P	610	
	3.4	5304	422		2.3				
	3.8	4641	369		2.7				
	4.3	4170	332		3.0				
	1.2	14988	1192		0.82		<b>ER 147ER77</b> <b>ERF 147ER77</b>	4P	569
	1.4	12994	1033		0.95	4P		579	
	1.6	11294	898		1.09				
	1.8	9890	786		1.25				
	2.0	8741	695		1.41				
	2.2	7939	631		1.56				
	2.6	6961	553		1.77				
	3.0	6045	481		2.0				

# ER SERIES REDUCTOR

Power (kW)	Output speed (r/min)	Output torque (N · m)	Ratio (i)	Service factor (fB)	Type	Motor pole	Weight (kg)	
<b>2.2</b>	1.9	9364	745	0.81	<b>ER 137ER77</b>	4P	389	
	2.1	8633	686	0.88				
	2.3	7854	624	0.97				
	2.4	7560	601	1.01				
	2.5	7144	568	1.06				
	2.9	6257	498	1.21				
	3.4	5281	420	1.44				
	3.7	4860	386	1.56				
	4.3	4106	326	1.85				
	4.8	3694	294	2.1				
	5.6	3208	255	2.4				
	6.4	2799	223	2.7				
	3.8	4697	374	0.87	<b>ER 107ER77</b>	4P	289	
	4.4	4020	320	1.02				
	4.3	4107	327	0.99				
	5.0	3583	285	1.14				
	5.6	3187	253	1.28				
	6.5	2758	219	1.48				
	6.1	2929	233	0.97	<b>ER 97ER57</b>	4P	195	
	6.8	2631	209	1.08				
	3.2	6666	225.27	★	1.14	<b>ER 137</b>	8P	356
	3.9	5434	183.63	★	1.40			
	4.1	5079	171.64	★	1.50			
	4.4	4762	160.91	★	1.60			
	5.0	4217	142.52		1.80			
	5.6	3768	127.33		2.0			
	6.2	3390	114.57		2.2			
	6.8	3069	103.70		2.5			
	4.6	4580	204.89	★	0.89	<b>ER 107</b>	6P	241
5.5	3854	172.41		1.06				
6.1	3471	155.27	★	1.18				
6.5	3249	145.35	★	1.26				
5.7	3692	249.55	★	1.11	<b>ER 107</b>	4P	233	
6.1	3446	232.91	★	1.19				
6.9	3032	204.89	★	1.35				
8.2	2551	172.41		1.60				
9.1	2297	155.27	★	1.78				
9.8	2151	145.35	★	1.90				
10	2018	136.42		2.0				
11	1899	128.34		2.2				
12	1790	120.99		2.3				
12	1691	114.28		2.4				
13	1600	108.14		2.6				
14	1516	102.48		2.7				
15	1367	92.42		3.0				
19	1134	76.63		3.6				
20	1071	72.38		3.8				
21	1013	68.49		4.0				
22	960	64.90		4.3				
24	866	58.54		4.7				
6.4	3284	221.98	★	0.87	<b>ER 97</b>	4P	163	
6.9	3047	205.96	★	0.94				
7.4	2838	191.83	★	1.00				
7.9	2652	179.26	★	1.07				
8.5	2486	168.02	★	1.15				
9.5	2201	148.75	★	1.29				
11	1930	130.44	★	1.48				
12	1708	115.46		1.67				
13	1612	108.95		1.77				
14	1524	102.98		1.87				
15	1442	97.49		1.98				
15	1367	92.42		2.1				
17	1265	85.50	★	2.3				



# ER SERIES REDUCTOR

Power (kW)	Output speed (r/min)	Output torque (N · m)	Ratio (i)		Service factor (fB)	Type	Motor pole	Weight (kg)	
<b>2.2</b>	18	1186	80.17	★	2.4	<b>ER 97</b> <b>ERF97</b>	4P	163	
	20	1050	70.96		2.7		4P	178	
	21	991	66.96		2.9				
	22	936	63.29		3.0				
	24	886	59.92		3.2				
	26	798	53.91		3.6				
	30	696	47.06		4.1				
	34	624	42.19		4.6				
	37	562	37.97		5.1				
	40	520	35.16		5.4				
	44	482	32.60		5.7				
	50	416	28.13		6.1				
	12	1790	120.96	★	0.82		<b>ER 87</b> <b>ERF87</b>	4P	113
	13	1665	112.54	★	0.88			4P	120
	14	1554	105.00	★	0.95				
14	1469	99.30	★	1.00					
15	1362	92.08	★	1.08					
18	1181	79.80	★	1.25					
19	1103	74.54		1.34					
20	1032	69.76		1.43					
22	967	65.39		1.52					
23	908	61.38		1.62					
25	846	57.20		1.74					
27	790	53.38		1.86					
28	738	49.88		2.0					
30	690	46.65		2.1					
35	605	40.92		2.4					
38	554	37.47		2.7					
44	482	32.58		3.1					
50	421	28.48		3.4					
52	400	27.06	★	3.7	<b>ER 87</b> <b>ERF87</b>	4P	113		
56	375	25.36	★	3.9		4P	120		
60	353	23.84	★	4.2					
68	311	21.00	★	4.6					
72	291	19.69	★	4.7					
81	258	17.43		5.1					
86	243	16.45		5.3					
91	230	15.55		5.5					
96	218	14.72		5.8					
102	206	13.95		6.0					
107	196	13.24		6.2					
116	181	12.23		6.5					
21	982	66.35		0.80		<b>ER 77</b> <b>ERF77</b>	4P	83	
23	922	62.31		0.85			4P	89	
24	867	58.58		0.90					
27	768	51.92		1.01					
31	687	46.42	★	1.13					
33	640	43.24	★	1.22					
35	597	40.35	★	1.30					
38	558	37.73		1.40					
40	523	35.34		1.49					
43	490	33.15		1.59					
46	461	31.13		1.69					
49	433	29.27		1.80					
55	384	25.94		1.93					
60	350	23.65	★	2.2	<b>ER 77</b> <b>ERF77</b>		4P	83	
65	326	22.00	★	2.4			4P	89	
69	304	20.53	★	2.5					
73	287	19.41	★	2.6					
79	266	18.00	★	2.8					
91	231	15.60	★	3.0					
97	216	14.57		3.2					
104	202	13.64		3.4					
36	587	39.70	★	0.94	<b>ER 67</b> <b>ERF67</b>	4P	73		
39	545	36.86	★	0.99		4P	76		

# ER SERIES REDUCTOR

Power (kW)	Output speed (r/min)	Output torque (N·m)	Ratio (i)	Service factor (fB)	Type	Motor pole	Weight (kg)
<b>2.2</b>	41	507	34.29	1.04	<b>ER 67</b> <b>ERF 67</b>	4P	73
	44	472	31.93	1.09		4P	76
	48	441	29.78	1.12			
	62	339	22.93	★	<b>ER 67</b> <b>ERF 67</b>	4P	73
	71	294	19.90	★		4P	76
	76	275	18.62	★			
	81	258	17.45	★			
	91	231	15.62	★			
	98	215	14.55	★			
	105	201	13.58	★			
	112	188	12.69				
	119	176	11.89				
	127	165	11.15				
	136	155	10.47				
	144	146	9.85				
	163	129	8.73				
	185	113	7.67	★			
	198	106	7.17	★			
	211	99	6.71				
	225	93	6.30				
	240	88	5.91				
	255	82	5.56				
	288	73	4.93				
	37	575	38.89	★	<b>ER 57</b> <b>ERF 57</b>	4P	61
	39	534	36.11	★		4P	65
	42	497	33.58				
	45	463	31.28				
	49	432	29.16				
52	403	27.22					
63	332	22.41	★	<b>ER 57</b> <b>ERF 57</b>	4P	61	
68	307	20.78	★		4P	65	
79	267	18.04	★				
84	250	16.87	★				
90	234	15.82	★				
93	225	15.23	★				
100	209	14.15	★				
108	195	13.18	★				
115	182	12.30	★				
123	170	11.50	★				
132	159	10.77					
141	150	10.11					
150	140	9.49					
159	132	8.92					
180	117	7.91					
190	110	7.45					
227	92	6.25					
242	87	5.86					
258	81	5.51					
274	77	5.18					
328	64	4.32					
73	287	19.41	★	<b>ER 47</b> <b>ERF 47</b>	4P	53	
78	270	18.22	★		4P	53	
83	254	17.14	★				
88	239	16.15	★				
101	208	14.03	★				
110	191	12.94	★				
119	177	11.97	★				
138	152	10.30	★				
148	142	9.58					
159	132	8.92					
183	115	7.76					
188	112	7.55	★				
203	104	7.00	★				
218	96	6.50	★				
235	89	6.05					
252	83	5.63					
290	72	4.90					

# ER SERIES REDUCTOR

Power (kW)	Output speed (r/min)	Output torque (N · m)	Ratio (i)		Service factor (fB)	Type	Motor pole	Weight (kg)		
<b>2.2</b>	90	233	15.76	★	0.81	<b>ER 37</b> <b>ERF37</b>	4P	48		
	98	214	14.44	★	0.84		4P	50		
	107	196	13.27	★	0.92					
	116	181	12.22	★	0.96					
	136	154	10.43	★	1.05					
	147	143	9.65		1.11					
	178	118	8.00	★	1.25					
	209	101	6.80	★	1.36					
	244	86	5.82		1.57					
	284	74	5.00	★	1.73					
	334	63	4.25	★	1.90					
	361	58	3.93	★	1.99					
	421	50	3.37		2.1					
		137	153	10.35	★		0.80	<b>ER 27</b> <b>ERF27</b>	4P	43
		160	131	8.86			0.84		4P	43
		173	121	8.21		0.91				
		178	118	7.96	★	0.90				
		195	108	7.27	★	0.96				
		213	99	6.67	★	1.02				
		232	91	6.13	★	1.08				
		252	83	5.64	★	1.13				
		273	77	5.21	★	1.17				
		295	71	4.81	★	1.24				
		319	66	4.45		1.30				
		344	61	4.13		1.35				
		371	57	3.83		1.43				
		431	49	3.30		1.54				
		272	77	5.22	★	3.1	<b>R 81</b> <b>RF81</b>		4P	83
		309	68	4.60	★	4.0		4P	88	
		347	61	4.09		4.7				
		387	54	3.67		5.3				
		429	49	3.31		7.9				
		500	42	2.84		9.2				
		597	35	2.38		11				
		673	31	2.11		12				
		324	65	4.38	★	2.1		<b>R 71</b> <b>RF71</b>	4P	63
		376	56	3.78	★	2.6	4P		68	
		430	49	3.30	★	3.5				
		488	43	2.91		4.7				
		550	38	2.58		5.4				
		615	34	2.31		5.7				
		686	31	2.07		6.2				
	759	28	1.87		6.4					
	882	24	1.61		6.9					
	1022	21	1.39		7.2					
	406	52	3.50	★	1.65	<b>R 61</b> <b>RF61</b>	4P		46	
	444	47	3.20	★	2.0		4P	47		
	546	38	2.60	★	2.9					
	626	34	2.27	★	3.7					
	802	26	1.77		4.6					
	904	23	1.57		4.7					
	1014	21	1.40		4.8					
	555	38	2.56	★	1.73		<b>R 41</b> <b>RF41</b>	4P	42	
	645	33	2.20	★	2.0	4P		43		
	743	28	1.91		2.3					
	850	25	1.67		2.7					
	973	22	1.46		3.0					
	1101	19	1.29		3.1					
<b>3</b>	1.3	19158	1117		0.89	<b>ER 167ER 97</b> <b>ERF 167ER 97</b>		4P	992	
	1.4	17144	1000		1.00		4P	1002		
	1.6	14925	870		1.15					
	1.9	13158	767		1.30					
	2.2	11227	655		1.52					
	2.8	8624	503		1.98					

# ER SERIES REDUCTOR

Power (kW)	Output speed (r/min)	Output torque (N · m)	Ratio (i)	Service factor (fB)	Type	Motor pole	Weight (kg)	
<b>3</b>	2.7	9119	532	1.35	<b>ER 147ER87</b>	4P	604	
	3.1	7962	464	1.55				
	3.4	7232	422	1.71	<b>ERF 147ER87</b>	4P	614	
	3.8	6328	369	1.95				
	4.3	5687	332	2.2				
	5.1	4759	278	2.6				
	1.6	15401	898	0.80				<b>ER 147ER77</b>
	1.8	13486	786	0.92				
	2.0	11920	695	1.04				
	2.2	10826	631	1.14				
	2.6	9492	553	1.30				
	2.7	8887	518	0.86	<b>ER 137ER77</b>	4P	393	
	2.9	8533	498	0.89				
	3.1	7775	453	0.98	<b>ERF 137ER77</b>	4P	413	
	3.4	7202	420	1.06				
	3.7	6627	386	1.15				
	4.3	5599	326	1.36				
	4.8	5038	294	1.51				
	5.6	4375	255	1.74				
	6.4	3817	223	1.99				
	5.5	4408	257	0.93				<b>ER 107ER77</b>
	5.6	4346	253	0.94				
	6.5	3761	219	1.09				
	7.8	3123	182	1.31				
	3.2	9090	225.27	★	0.84	<b>ER 137</b>	8P	364
	3.9	7410	183.63	★	1.03			
	4.1	6926	171.64	★	1.10	<b>ERF 137</b>	8P	384
4.4	6493	160.91	★	1.17				
5.0	5751	142.52		1.32				
5.6	5138	127.33		1.48				
6.2	4623	114.57		1.64				
6.8	4184	103.70		1.82				
8.1	3552	88.03		2.1				
4.3	6723	225.27	★	1.13	<b>ER 137</b>			
5.2	5480	183.63	★	1.39				
5.6	5122	171.64	★	1.48	<b>ERF 137</b>	6P	384	
6.0	4802	160.91	★	1.58				
6.7	4253	142.52		1.79				
7.5	3800	127.33		2.0				
8.4	3419	114.57		2.2				
9.3	3095	103.70		2.5				
6.2	4634	155.27	★	0.88				<b>ER 107</b>
6.6	4338	145.35	★	0.94				
7.5	3830	128.34		1.07				
6.1	4699	232.91	★	0.87	<b>ER 107</b>	4P	237	
6.9	4134	204.89	★	0.99				
8.2	3479	172.41		1.17	<b>ERF 107</b>	4P	242	
9.1	3133	155.27	★	1.30				
9.8	2933	145.35	★	1.39				
10	2752	136.42		1.48				
11	2589	128.34		1.58				
12	2441	120.99		1.67				
12	2306	114.28		1.77				
13	2182	108.14		1.87				
14	2068	102.48		1.98				
15	1865	92.42		2.2				
19	1546	76.63		2.6				
20	1460	72.38		2.8				
21	1382	68.49		3.0				
22	1310	64.90		3.1				
24	1181	58.54		3.5				

# ER SERIES REDUCTOR

Power (kW)	Output speed (r/min)	Output torque (N · m)	Ratio (i)		Service factor (fB)	Type	Motor pole	Weight (kg)	
<b>3</b>	9.5	3001	148.75	★	0.95	<b>ER 97</b>	4P	167	
	11	2632	130.44	★	1.08		<b>ERF 97</b>	4P	172
	12	2330	115.46		1.22				
	13	2198	108.95		1.30				
	14	2078	102.98		1.37				
	15	1967	97.49		1.45				
	15	1865	92.42		1.53				
	17	1725	85.50	★	1.65				
	18	1617	80.17	★	1.76				
	20	1432	70.96		1.99				
	21	1351	66.96		2.1				
	22	1277	63.29		2.2				
	24	1209	59.92		2.4				
	26	1088	53.91		2.6				
	30	950	47.06		3.0				
	34	851	42.19		3.3				
	37	766	37.97		3.7				
	40	709	35.16		4.0				
	44	658	32.60		4.2				
	50	568	28.13		4.5				
		15	1858	92.08	★	0.80	<b>ER 87</b>	4P	117
		18	1610	79.80	★	0.91		<b>ERF 87</b>	4P
		19	1504	74.54		0.98			
		20	1407	69.76		1.05			
		22	1319	65.39		1.12			
		23	1238	61.38		1.19			
		25	1154	57.20		1.28			
		27	1077	53.38		1.37			
		28	1006	49.88		1.46			
		30	941	46.65		1.56			
		35	826	40.92		1.78			
		38	756	37.47		1.95			
		44	657	32.58		2.2			
		50	575	28.48		2.5			
		52	546	27.06	★	2.7	<b>ER 87</b>	4P	117
		56	512	25.36	★	2.9		<b>ERF 87</b>	4P
		60	481	23.84	★	3.1			
		68	424	21.00	★	3.4			
		72	397	19.69	★	3.4			
		81	352	17.43		3.8			
		86	332	16.45		3.9			
		91	314	15.55		4.1			
		96	297	14.72		4.2			
		102	281	13.95		4.4			
		107	267	13.24		4.6			
		116	247	12.23		4.7			
		31	937	46.42	★	0.83	<b>ER 77</b>	4P	87
		33	872	43.24	★	0.89		<b>ERF 77</b>	4P
		35	814	40.35	★	0.96			
		38	761	37.73		1.02			
	40	713	35.34		1.09				
	43	669	33.15		1.16				
	46	628	31.13		1.24				
	49	590	29.27		1.32				
	55	523	25.94		1.42				
	60	477	23.65	★	1.63	<b>ER 77</b>	4P	87	
	65	444	22.00	★	1.76		<b>ERF 77</b>	4P	93
	69	414	20.53	★	1.86				
	73	392	19.41	★	1.94				
	79	363	18.00	★	2.0				
	91	315	15.60	★	2.2				
	97	294	14.57		2.3				
	104	275	13.64		2.5				
	111	258	12.78		2.5				
	118	242	12.00		2.7				
	127	226	11.18		2.8				
	136	211	10.43		3.0				

159  
187

188

203  
218  
235  
252  
290

136  
147

26  
283  
261  
241  
208  
193  
180  
157  
152  
141  
131  
122  
114  
99

210  
195

5.5  
5.1  
4.9

16  
14  
12  
11  
10  
9.5  
8.9  
7.7  
7.5  
7.0  
6.5  
6.0  
5.6  
4.9

10  
9.6

4P  
4P

# ER SERIES REDUCTOR

Power (kW)	Output speed (r/min)	Output torque (N·m)	Ratio (i)		Service factor (fB)	Type	Motor pole	Weight (kg)
<b>3</b>	178	161	8.00	★	0.92	<b>ER 37</b> <b>ERF 37</b>	4P	52
	209	137	6.80	★	1.00		4P	54
	244	117	5.82		1.15			
	284	101	5.00	★	1.27			
	334	86	4.25	★	1.40			
	361	79	3.93	★	1.46			
	421	68	3.37		1.57			
	252	114	5.64	★	0.83	<b>ER 27</b> <b>ERF 27</b>	4P	47
	273	105	5.21	★	0.86		4P	47
	295	97	4.81	★	0.91			
	319	90	4.45		0.95			
	344	83	4.13		0.99			
	371	77	3.83		1.05			
	431	67	3.30		1.13			
	272	105	5.22	★	2.3	<b>R 81</b> <b>RF81</b>	4P	87
	309	93	4.60	★	3.0		4P	92
	347	83	4.09		3.5			
	387	74	3.67		3.9			
	429	67	3.31		5.8			
	500	57	2.84		6.7			
	597	48	2.38		8.0			
	673	43	2.11		8.6			
	324	88	4.38	★	1.54	<b>R 71</b> <b>RF71</b>	4P	67
	376	76	3.78	★	1.91		4P	72
	430	67	3.30	★	2.6			
	488	59	2.91		3.5			
	550	52	2.58		3.9			
	615	47	2.31		4.2			
	686	42	2.07		4.5			
	759	38	1.87		4.7			
	882	32	1.61		5.1			
	1022	28	1.39		5.3			
	406	71	3.50	★	1.21	<b>R 61</b> <b>RF61</b>	4P	50
444	65	3.20	★	1.47	4P		51	
546	52	2.60	★	2.1				
626	46	2.27	★	2.7				
802	36	1.77		3.4				
904	32	1.57		3.4				
1014	28	1.40		3.5				
555	52	2.56	★	1.27	<b>R 41</b> <b>RF41</b>	4P	46	
645	44	2.20	★	1.48		4P	47	
743	39	1.91		1.70				
850	34	1.67		1.95				
973	29	1.46		2.2				
1101	26	1.29		2.3				
<b>4</b>	1.7	19624	870		0.87	<b>ER 167ER97</b> <b>ERF 167ER97</b>	4P	1000
	1.9	17300	767		0.99		4P	1010
	2.2	14762	655		1.16			
	2.9	11339	503		1.51			
	3.9	8312	369		2.1			
	4.2	7648	339		2.2			
	2.7	11990	532		1.03	<b>ER 147ER87</b> <b>ERF 147ER87</b>	4P	612
	3.1	10468	464		1.18		4P	622
	3.4	9509	422		1.30			
	3.9	8320	369		1.48			
	4.3	7477	332		1.65			
	5.2	6257	278		1.97			
	5.9	5520	245		2.2			
	6.7	4831	214		2.6			
	7.7	4228	188		2.9			
	9.2	3548	157		3.5			
	2.3	14234	631		0.87	<b>ER 147ER77</b> <b>ERF 147ER77</b>	4P	581
	2.6	12480	553		0.99		4P	591

# ER SERIES REDUCTOR

Power (kW)	Output speed (r/min)	Output torque (N · m)	Ratio (i)	Service factor (fB)	Type	Motor pole	Weight (kg)			
<b>4</b>	3.0	10838	481	1.14	<b>ER 147ER77</b>	4P	581			
	3.5	9298	412	1.33				<b>ERF 147ER77</b>	4P	591
	3.7	8713	386	0.87	<b>ER 137ER77</b>	4P	401			
	3.8	8466	375	0.90						
	4.3	7589	337	1.00						
	4.4	7362	326	1.03						
	4.9	6657	295	1.14						
	4.9	6624	294	1.15						
	5.6	5752	255	1.32						
	6.5	5019	223	1.51						
	7.4	4365	194	0.94	<b>ER 107ER77</b>	4P	301			
	7.9	4106	182	0.99						
	8.3	3918	174	1.04						
	4.4	8633	162.72	★	1.43	<b>ER 147</b>	8P	585		
	5.0	7716	145.42		1.60					
	6.1	6303	118.81		1.96					
	6.8	5622	105.97		2.2					
	4.2	9106	171.64	★	0.83	<b>ER 137</b>	8P	405		
	4.5	8537	160.91	★	0.89					
	5.1	7561	142.52	★	1.01					
	5.7	6755	127.33		1.13					
	6.3	6078	114.57		1.25					
	6.9	5502	103.70		1.38					
	4.3	8964	225.27	★	0.85	<b>ER 137</b>	6P	376		
	5.2	7307	183.63	★	1.04					
	5.6	6830	171.64	★	1.11					
	6.0	6403	160.91	★	1.19					
	6.7	5671	142.52		1.34					
	7.5	5067	127.33		1.50					
	8.4	4559	114.57		1.67					
	9.3	4126	103.70		1.84					
	11	3503	88.03	★	2.2					
	8.4	4574	172.41		0.89				<b>ER 107</b>	4P
9.3	4119	155.27	★	0.99						
9.9	3856	145.35	★	1.06						
11	3619	136.42		1.13						
11	3405	128.34		1.20						
12	3210	120.99		1.27						
13	3032	114.28		1.35						
13	2869	108.14		1.42						
14	2719	102.48		1.50						
16	2452	92.42		1.67						
19	2033	76.63		2.0						
20	1920	72.38		2.1						
21	1817	68.49		2.2						
22	1722	64.90		2.4						
25	1553	58.54		2.6						
26	1442	54.35		2.8						
31	1251	47.16		3.3						
35	1094	41.23		3.7						
12	3063	115.46		0.93	<b>ER 97</b>	4P	175			
13	2890	108.95		0.99						
14	2732	102.98		1.04						
15	2586	97.49		1.10						
16	2452	92.42		1.16						
17	2268	85.50	★	1.26						
18	2127	80.17	★	1.34						
20	1882	70.96		1.51						
22	1776	66.96		1.60						
23	1679	63.29		1.70						
24	1589	59.92		1.79						
27	1430	53.91		1.99						
31	1248	47.06		2.3						
34	1119	42.19		2.5						



# ER SERIES REDUCTOR

Power (kW)	Output speed (r/min)	Output torque (N·m)	Ratio (i)		Service factor (fB)	Type	Motor pole	Weight (kg)	
<b>4</b>	38	1007	37.97		2.8	<b>ER 97</b>	4P	175	
	41	933	35.16		3.1		<b>ERF97</b>	4P	190
	44	865	32.60		3.2				
	51	746	28.13		3.4				
	44	876	33.03	★	2.8	<b>ER 97</b>	4P	175	
	52	737	27.79		3.3		<b>ERF97</b>	4P	190
	58	664	25.03	★	4.0				
	61	622	23.43	★	4.2				
	65	583	21.99		4.4				
	70	549	20.69		4.5				
	74	517	19.50		4.7				
	78	489	18.42		4.9				
	83	462	17.43		5.0				
	87	438	16.52		5.2				
	97	395	14.90		5.5				
	120	318	12.00		6.5				
	137	278	10.49		7.1				
	156	245	9.23		7.9				
	177	216	8.14	★	8.9				
	209	183	6.90		10				
	239	160	6.03		11				
	272	141	5.30		12				
	22	1735	65.39		0.85	<b>ER 87</b>	4P	125	
	23	1628	61.38		0.90		<b>ERF87</b>	4P	132
	25	1517	57.20		0.97				
	27	1416	53.38		1.04				
	29	1323	49.88		1.11				
	31	1238	46.65		1.19				
	35	1086	40.92		1.36				
	38	994	37.47		1.48				
	44	864	32.58		1.70				
	51	755	28.48		1.89				
	53	718	27.06	★	2.1	<b>ER 87</b>	4P	125	
	57	673	25.36	★	2.2		<b>ERF87</b>	4P	132
	60	632	23.84	★	2.3				
	69	557	21.00	★	2.6				
	73	522	19.69	★	2.6				
	83	462	17.43		2.9				
	88	436	16.45		3.0				
	93	412	15.55		3.1				
	98	390	14.72		3.2				
	103	370	13.95		3.4				
	109	351	13.24		3.5				
	118	324	12.23		3.6				
	147	261	9.83		4.3				
	154	247	9.33		4.6				
	180	212	8.01		5.2				
	208	183	6.91		5.5				
	224	171	6.43		5.7				
	242	158	5.96		5.8				
	280	136	5.14		6.3				
	38	1001	37.73		0.80	<b>ER 77</b>	4P	95	
	41	937	35.34		0.83		<b>ERF77</b>	4P	101
	43	879	33.15		0.89				
	46	826	31.13		0.94				
	49	776	29.27		1.00				
	56	688	25.94		1.08				
	61	627	23.65	★	1.24	<b>ER 77</b>	4P	95	
	65	584	22.00	★	1.33		<b>ERF77</b>	4P	101
	70	545	20.53	★	1.41				
	74	515	19.41	★	1.48				
	80	478	18.00	★	1.55				
	92	414	15.60	★	1.70				
	99	387	14.57		1.77				
	106	362	13.64		1.89				

# ER SERIES REDUCTOR

Power (kW)	Output speed (r/min)	Output torque (N · m)	Ratio (i)	Service factor (fB)	Type	Motor pole	Weight (kg)	
<b>4</b>	113	339	12.78	1.93	<b>ER 77</b>	4P	95	
	120	318	12.00	2.0		<b>ERF77</b>	4P	101
	129	297	11.18	2.1				
	138	277	10.43	2.3				
	148	259	9.75	2.3				
	158	242	9.12	2.5				
	169	227	8.54	2.6				
	182	210	7.92	2.8				
	209	183	6.91	3.0				
	238	160	6.05	3.2				
		72	528	19.90	★ 1.08	<b>ER 67</b>	4P	85
		77	494	18.62	★ 1.14		<b>ERF67</b>	4P
		83	463	17.45	★ 1.21			
		92	414	15.62	★ 1.28			
		99	386	14.55	★ 1.35			
		106	360	13.58	★ 1.41			
		113	337	12.69	1.47			
		121	315	11.89	1.51			
		129	296	11.15	1.61			
		138	278	10.47	1.61			
		146	261	9.85	1.71			
		165	232	8.73	1.81			
		188	203	7.67	★ 1.78			
		201	190	7.17	1.85			
		214	178	6.71	1.87			
		229	167	6.30	1.88			
		243	157	5.91	1.94			
	259	148	5.56	2.0				
	292	131	4.93	2.1				
	80	479	18.04	★ 0.89	<b>ER 57</b>	4P	73	
	85	448	16.87	★ 0.96		<b>ERF57</b>	4P	77
	91	420	15.82	★ 1.00				
	95	404	15.23	★ 1.02				
	102	375	14.15	★ 1.09				
	109	350	13.18	★ 1.14				
	117	326	12.30	★ 1.19				
	125	305	11.50	1.26				
	134	286	10.77	1.30				
	142	268	10.11	1.36				
	152	252	9.49	1.40				
	161	237	8.92	1.51				
	182	210	7.91	1.61				
	193	198	7.45	1.68				
	230	166	6.25	1.92				
	246	156	5.86	1.95				
	262	146	5.51	2.0				
	278	137	5.18	2.1				
	333	115	4.32	2.3				
	140	273	10.30	★ 0.80	<b>ER 47</b>	4P	65	
	150	254	9.58	0.84		<b>ERF47</b>	4P	65
	161	237	8.92	0.88				
	185	206	7.76	0.75				
	191	200	7.55	★ 0.76				
	206	186	7.00	★ 0.81				
	222	172	6.50	★ 0.87				
	238	160	6.05	0.92				
	256	149	5.63	0.99				
	294	130	4.90	1.10				
	276	138	5.22	★ 1.72	<b>R 81</b>	4P	95	
	313	122	4.60	★ 2.3		<b>RF81</b>	4P	100
	352	108	4.09	2.6				
	392	97	3.67	3.0				
	435	88	3.31	4.4				
	507	75	2.84	5.1				
	605	63	2.38	6.1				
	682	56	2.11	6.5				

# ER SERIES REDUCTOR

Power (kW)	Output speed (r/min)	Output torque (N·m)	Ratio (i)		Service factor (fB)	Type	Motor pole	Weight (kg)
<b>4</b>	329	116	4.38	★	1.17	<b>R 71</b> <b>RF71</b>	4P	75
	381	100	3.78	★	1.45		4P	80
	436	88	3.30	★	1.98			
	495	77	2.91		2.6			
	558	68	2.58		3.0			
	623	61	2.31		3.2			
	696	55	2.07		3.5			
	770	50	1.87		3.6			
	894	43	1.61		3.8			
	1036	37	1.39		4.0			
	450	85	3.20	★	1.12	<b>R 61</b> <b>RF61</b>	4P	58
	554	69	2.60	★	1.63		4P	59
	634	60	2.27	★	2.1			
	814	47	1.77		2.5			
	917	42	1.57		2.6			
	1029	37	1.40		2.7			
	563	68	2.56	★	0.97	<b>R 41</b> <b>RF41</b>	4P	54
	655	58	2.20	★	1.12		4P	55
	754	51	1.91		1.29			
	862	44	1.67		1.48			
986	39	1.46		1.67				
1116	34	1.29		1.75				
<b>5.5</b>	2.2	20298	655		0.84	<b>ER 167ER97</b> <b>ERF 167ER97</b>	4P	1019
	2.5	18167	586		0.94		4P	1029
	2.9	15591	503		1.10			
	3.4	13228	427		1.29			
	3.9	11430	369		1.50			
	4.2	10516	339		1.63			
	4.8	9322	301		1.83			
	5.2	8576	277		1.99			
	3.1	14394	464		0.86	<b>ER 147ER87</b> <b>ERF 147ER87</b>	4P	631
	3.4	13075	422		0.94		4P	641
	3.9	11440	369		1.08			
	4.3	10281	332		1.20			
	5.2	8604	278		1.44			
	5.9	7591	245		1.63			
	6.7	6643	214		1.86			
	7.7	5814	188		2.1			
	3.0	17303	237.19	★	0.99	<b>ER 167</b> <b>ERF 167</b>	8P	935
	3.9	13339	182.85		1.28		8P	945
	4.7	11271	154.50		1.52			
	5.2	10168	139.38		1.68			
	5.9	8973	123.00		1.91			
	4.4	11871	162.72	★	1.04	<b>ER 147</b> <b>ERF 147</b>	8P	605
	5.0	10609	145.42		1.16		8P	615
	6.1	8667	118.81		1.42			
	6.8	7730	105.97		1.60			
	5.9	8903	162.72		1.39	<b>ER 147</b> <b>ERF 147</b>	6P	560
	6.6	7957	145.42		1.55		6P	570
	8.1	6500	118.81		1.90			
	9.1	5798	105.97		2.1			
	10	5102	93.25		2.4			
	12	4527	82.74		2.7			
	5.7	9289	127.33		0.82	<b>ER 137</b> <b>ERF 137</b>	8P	425
	6.3	8358	114.57		0.91		8P	445
	6.9	7565	103.70		1.00			
	8.2	6422	88.03		1.18			
	5.6	9391	171.64	★	0.81	<b>ER 137</b> <b>ERF 137</b>	6P	380
	6.0	8804	160.91	★	0.86		6P	400
	6.7	7798	142.52		0.97			
	7.5	6967	127.33		1.09			
	8.4	6268	114.57		1.21			
9.3	5674	103.70		1.34				

# ER SERIES REDUCTOR

Power (kW)	Output speed (r/min)	Output torque (N · m)	Ratio (i)		Service factor (fB)	Type	Motor pole	Weight (kg)	
<b>5.5</b>	6.4	8217	225.27	★	0.92	<b>ER 137</b>	4P	364	
	7.8	6698	183.63	★	1.13				
	8.4	6261	171.64	★	1.21				
	8.9	5869	160.91	★	1.29				
	9.5	5517	151.25		1.38				
	10	5198	142.52		1.46				
	11	4909	134.58		1.55				
	11	4644	127.33		1.64				
	13	4179	114.57		1.82				
	14	3782	103.70		2.0				
	15	3441	94.33		2.2				
	16	3211	88.03		2.4				
	17	3032	83.12		2.5				
	19	2719	74.54		2.8				
	22	2336	64.05		3.3				
	25	2125	58.26		3.6				
	28	1899	52.06		4.0				
	31	1671	45.80		4.5				
	33	1571	43.07		4.8				
		11	4681	128.34		0.87	<b>ER 107</b>	4P	264
		12	4413	120.99		0.93			
		13	4169	114.28		0.98			
		13	3944	108.14		1.04			
		14	3738	102.48		1.09			
		16	3371	92.42		1.21			
		19	2795	76.63		1.46			
		20	2640	72.38		1.55			
		21	2498	68.49		1.64			
		22	2367	64.90		1.73			
		25	2135	58.54		1.91			
		26	1982	54.35		2.1			
		31	1720	47.16		2.4			
		35	1504	41.23		2.7			
	40	1322	36.25		3.1				
	17	3119	85.50	★	0.91	<b>ER 97</b>	4P	194	
	18	2924	80.17	★	0.97				
	20	2588	70.96		1.10				
	22	2442	66.96		1.17				
	23	2309	63.29		1.23				
	24	2185	59.92		1.30				
	27	1967	53.91		1.45				
	31	1717	47.06		1.66				
	34	1539	42.19		1.85				
	38	1385	37.97		2.1				
	41	1283	35.16		2.2				
	44	1189	32.60		2.3				
	51	1026	28.13		2.5				
	44	1205	33.03	★	2.0	<b>ER 97</b>	4P	194	
	52	1014	27.79	★	2.4				
	58	913	25.03	★	2.9				
	61	855	23.43	★	3.1				
	65	802	21.99		3.2				
	70	755	20.69		3.3				
	74	711	19.50		3.4				
	78	672	18.42		3.5				
	83	636	17.43		3.7				
	87	603	16.52		3.8				
	97	543	14.90		4.0				
	120	438	12.00		4.8				
	137	383	10.49		5.2				
	156	337	9.23		5.7				
	177	297	8.14		6.5				
	209	252	6.90		7.4				
	239	220	6.03		8.2				
	272	193	5.30		8.7				
	327	161	4.40		9.6				

# ER SERIES REDUCTOR

Power (kW)	Output speed (r/min)	Output torque (N · m)	Ratio (i)	Service factor (fB)	Type	Motor pole	Weight (kg)	
<b>5.5</b>	31	1702	46.65	0.87	<b>ER 87</b>	4P	144	
	35	1493	40.92	0.99				
	38	1367	37.47	1.08				
	44	1188	32.58	1.24				
	51	1039	28.48	1.37				
	53	987	27.06	★	1.49	<b>ER 87</b>	4P	144
	57	925	25.36	★	1.59			
	60	869	23.84	★	1.69			
	69	766	21.00	★	1.86			
	73	718	19.69	★	1.90			
	83	636	17.43		2.1			
	88	600	16.45		2.2			
	93	567	15.55		2.2			
	98	537	14.72		2.3			
	103	509	13.95		2.4			
	109	483	13.24		2.5			
	118	446	12.23		2.6			
	147	358	9.83		3.1			
	154	340	9.33		3.4			
	180	292	8.01		3.8			
	208	252	6.91		4.0			
	224	234	6.43		4.1			
	242	217	5.96		4.2			
	280	188	5.14		4.6			
	74	708	19.41	★	1.07	<b>ER 77</b>	4P	114
	80	657	18.00	★	1.13			
	92	569	15.60	★	1.24			
	99	532	14.57		1.29			
106	497	13.64		1.38				
113	466	12.78		1.41				
120	438	12.00		1.48				
129	408	11.18		1.56				
138	381	10.43		1.65				
148	356	9.75		1.68				
158	333	9.12		1.80				
169	311	8.54		1.92				
182	289	7.92		2.0				
209	252	6.91		2.2				
238	221	6.05		2.3				
92	570	15.62	★	0.93	<b>ER 67</b>	4P	104	
99	531	14.55	★	0.98				
106	495	13.58	★	1.03				
113	463	12.69	★	1.07				
121	434	11.89		1.10				
129	407	11.15		1.17				
138	382	10.47		1.17				
146	359	9.85		1.24				
165	318	8.73		1.31				
188	280	7.67	★	1.29				
201	261	7.17	★	1.34				
214	245	6.71		1.36				
229	230	6.30		1.36				
243	216	5.91		1.41				
259	203	5.56		1.45				
292	180	4.93		1.53				
95	556	15.23	★	0.80	<b>ER 57</b>	4P	92	
102	516	14.15	★	0.80				
109	481	13.18	★	0.83				
117	449	12.30	★	0.87				
125	420	11.50	★	0.92				
134	393	10.77		0.94				
142	369	10.11		0.99				
152	346	9.49		1.02				
161	325	8.92		1.09				
182	288	7.91		1.17				
193	272	7.45		1.22				

# ER SERIES REDUCTOR

Power (kW)	Output speed (r/min)	Output torque (N·m)	Ratio (i)	Service factor (fB)	Type	Motor pole	Weight (kg)	
<b>5.5</b>	230	228	6.25	1.40	<b>ER 57</b>	4P	92	
	246	214	5.86	1.42		<b>ERF 57</b>	4P	96
	262	201	5.51	1.47				
	278	189	5.18	1.53				
	333	158	4.32	1.69				
	294	179	4.90	0.80	<b>ER 47</b>	4P	84	
					<b>ERF 47</b>	4P	84	
	218	241	6.62	★	1.81	<b>R 101</b>	4P	159
	230	229	6.27	★	1.91		<b>RF 101</b>	4P
	254	207	5.67	★	2.1			
	306	172	4.71		3.8			
	341	154	4.22		5.1			
	379	139	3.80		5.7			
	459	115	3.14		6.9			
	502	105	2.87		7.5			
	545	96	2.64		8.2			
	618	85	2.33		9.3			
	254	207	5.67	★	1.93	<b>R 91</b>	4P	139
	298	176	4.83	★	2.1		<b>RF 91</b>	4P
	379	139	3.80		4.1			
	426	123	3.38		4.6			
	447	117	3.22		4.8			
	498	105	2.89		5.4			
	550	96	2.62		5.9			
	603	87	2.39		6.6			
	661	80	2.18		7.5			
	750	70	1.92		9.7			
313	168	4.60	★	1.64	<b>R 81</b>	4P	114	
352	149	4.09	★	1.91		<b>RF 81</b>	4P	119
392	134	3.67	★	2.2				
435	121	3.31		3.2				
507	104	2.84		3.7				
605	87	2.38		4.4				
682	77	2.11		4.8				
800	66	1.80		5.1				
883	59	1.63		5.0				
1029	51	1.40		5.4				
436	120	3.30	★	1.44	<b>R 71</b>	4P	94	
495	106	2.91	★	1.92		<b>RF 71</b>	4P	99
558	94	2.58	★	2.2				
623	84	2.31		2.3				
696	76	2.07		2.5				
770	68	1.87		2.6				
894	59	1.61		2.8				
1036	51	1.39		2.9				
634	83	2.27	★	1.49	<b>R 61</b>	4P	77	
814	65	1.77		1.85		<b>RF 61</b>	4P	78
917	57	1.57		1.89				
1029	51	1.40		1.93				
<b>7.5</b>	2.9	20969	503	0.82	<b>ER 167ER97</b>	4P	1032	
	3.4	17791	427	0.96		<b>ERF 167ER97</b>	4P	1042
	4.0	15372	369	1.11				
	4.3	14144	339	1.21				
	4.9	12538	301	1.36				
	5.3	11535	277	1.48				
	4.4	13827	332	0.89	<b>ER 147ER87</b>	4P	644	
	5.3	11572	278	1.07		<b>ERF 147ER87</b>	4P	654
	6.0	10209	245	1.21				
	6.8	8934	214	1.38				
	7.8	7819	188	1.58				
	9.3	6561	157	1.88				

# ER SERIES REDUCTOR

Power (kW)	Output speed (r/min)	Output torque (N·m)	Ratio (i)	Service factor (fB)	Type	Motor pole	Weight (kg)
<b>7.5</b>	3.0	23595	237.19 ★	0.80	<b>ER 167</b>	8P	952
	3.9	18190	182.85	0.94		<b>ERF 167</b>	8P
	4.7	15370	154.50	1.11			
	5.2	13865	139.38	1.23			
	5.9	12236	123.00	1.40			
	4.0	17696	237.19 ★	0.97	<b>ER 167</b>	6P	925
	5.3	13642	182.85	1.25		<b>ERF 167</b>	6P
	6.2	11527	154.50	1.48			
	6.9	10399	139.38	1.64			
	7.8	9177	123.00	1.86			
	9.2	7821	104.83	2.2			
	10	7079	94.88	2.4			
	11	6336	84.92	2.7			
	13	5602	75.08	3.1			
	14	4966	66.56	3.4			
	4.4	16188	162.72 ★	0.80	<b>ER 147</b>	8P	622
	5.0	14467	145.42	0.85		<b>ERF 147</b>	8P
	6.1	11819	118.81	1.04			
	6.8	10541	105.97	1.17			
	5.9	12141	162.72 ★	1.02	<b>ER 147</b>	6P	595
	6.6	10850	145.42	1.14		<b>ERF 147</b>	6P
	8.1	8864	118.81	1.39			
	9.1	7906	105.97	1.56			
	10	6957	93.25	1.78			
	12	6173	82.74	2.0			
	8.0	9008	183.63 ★	0.84	<b>ER 137</b>	4P	377
	8.5	8420	171.64 ★	0.90		<b>ERF 137</b>	4P
	9.1	7894	160.91 ★	0.96			
	9.7	7420	151.25	1.02			
	10	6992	142.52	1.09			
	11	6602	134.58	1.15			
	11	6246	127.33	1.22			
	13	5620	114.57	1.35			
	14	5087	103.70	1.49			
15	4627	94.33	1.64				
17	4318	88.03	1.76				
18	4078	83.12	1.86				
20	3657	74.54	2.1				
23	3142	64.05	2.4				
25	2858	58.26	2.7				
28	2554	52.06	3.0				
32	2247	45.80	3.4				
34	2113	43.07	3.6				
16	4534	92.42 ★	0.90	<b>ER 107</b>	4P	277	
19	3759	76.63	1.09		<b>ERF 107</b>	4P	282
20	3551	72.38	1.15				
21	3360	68.49	1.22				
22	3184	64.90	1.28				
25	2872	58.54	1.42				
27	2666	54.35	1.53				
31	2314	47.16	1.77				
35	2023	41.23	2.0				
40	1778	36.25	2.3				
46	1570	32.00	2.6				
48	1477	30.10	2.8				
46	1552	31.64 ★	2.6	<b>ER 107</b>	4P	277	
49	1451	29.58 ★	2.8		<b>ERF 107</b>	4P	282
53	1360	27.73 ★	3.0				
56	1279	26.06	3.2				
59	1205	24.56	3.4				
63	1138	23.19	3.6				
67	1076	21.94	3.8				
70	1020	20.80	4.0				
74	968	19.74	4.2				
82	877	17.87	4.7				
94	762	15.53	5.4				

# ER SERIES REDUCTOR

Power (kW)	Output speed (r/min)	Output torque (N · m)	Ratio (i)	Service factor (fB)	Type	Motor pole	Weight (kg)			
<b>7.5</b>	101	713	14.52	5.7	<b>ER 107</b> <b>ERF 107</b>	4P 4P	277 282			
	107	668	13.61	6.1						
	114	627	12.78	6.5						
	122	589	12.02	6.9						
	129	555	11.31	7.4						
	137	523	10.66	7.8						
	145	494	10.06	8.3						
	24	2939	59.92	0.97				<b>ER 97</b> <b>ERF 97</b>	4P 4P	207 222
	27	2645	53.91	1.08						
	31	2309	47.06	1.23						
35	2070	42.19	1.38							
38	1863	37.97	1.53							
42	1725	35.16	1.65							
45	1600	32.60	1.72							
52	1380	28.13	1.84							
44	1620	33.03	★	1.50	<b>ER 97</b> <b>ERF 97</b>	4P 4P	207 222			
53	1363	27.79	★	1.78						
58	1228	25.03	★	2.2						
62	1149	23.43	★	2.3						
66	1079	21.99		2.4						
71	1015	20.69		2.4						
75	957	19.50		2.5						
79	904	18.42		2.6						
84	855	17.43		2.7						
88	810	16.52		2.8						
98	731	14.90		3.0						
122	589	12.00		3.5						
139	515	10.49		3.9						
158	453	9.23		4.3						
179	400	8.14		4.8						
212	339	6.90		5.5						
242	296	6.03		6.1						
275	260	5.30		6.5						
331	216	4.40		7.2						
39	1838	37.47		0.80	<b>ER 87</b> <b>ERF 87</b>	4P 4P	157 164			
45	1598	32.58		0.92						
51	1397	28.48		1.02						
54	1328	27.06	★	1.11	<b>ER 87</b> <b>ERF 87</b>	4P 4P	157 164			
58	1244	25.36	★	1.18						
61	1169	23.84	★	1.26						
70	1030	21.00	★	1.38						
74	966	19.69	★	1.42						
84	855	17.43		1.54						
89	807	16.45		1.61						
94	763	15.55		1.67						
99	722	14.72		1.74						
105	684	13.95		1.82						
110	650	13.24		1.87						
119	600	12.23		1.95						
149	482	9.83		2.3						
157	458	9.33		2.5						
182	393	8.01		2.8						
211	339	6.91		3.0						
227	315	6.43		3.1						
245	292	5.96		3.1						
284	252	5.14		3.4						
75	952	19.41	★	0.80	<b>ER 77</b> <b>ERF 77</b>	4P 4P	127 133			
81	883	18.00	★	0.84						
94	765	15.60	★	0.92						
100	715	14.57		0.96						
107	669	13.64		1.02						
114	627	12.78		1.05						
122	589	12.00		1.10						
131	549	11.18		1.16						
140	512	10.43		1.22						
150	478	9.75		1.25						



# ER SERIES REDUCTOR

Power (kW)	Output speed (r/min)	Output torque (N · m)	Ratio (i)	Service factor (fB)	Type	Motor pole	Weight (kg)	
<b>7.5</b>	160	447	9.12	1.34	<b>ER 77</b>	4P	127	
	171	419	8.54	1.43		<b>ERF 77</b>	4P	133
	184	389	7.92	1.49				
	211	339	6.91	1.63				
	241	297	6.05	1.73				
		115	623	12.69	★ 0.80	<b>ER 67</b>	4P	117
		123	583	11.89	★ 0.81		<b>ERF 67</b>	4P
		131	547	11.15	0.87			
		139	514	10.47	0.87			
		148	483	9.85	0.92			
		167	428	8.73	0.98			
		190	376	7.67	★ 0.96			
		204	352	7.17	★ 1.00			
		217	329	6.71	1.01			
		232	309	6.30	1.01			
		247	290	5.91	1.05			
		263	273	5.56	1.08			
		296	242	4.93	1.14			
		185	388	7.91	★ 0.87	<b>ER 57</b>	4P	105
		196	366	7.45	★ 0.91		<b>ERF 57</b>	4P
		234	307	6.25	★ 1.04			
		249	288	5.86	★ 1.06			
		265	270	5.51	★ 1.09			
		282	254	5.18	★ 1.14			
		338	212	4.32	★ 1.25			
		221	325	6.62	★ 1.35	<b>R 101</b>	4P	172
		233	308	6.27	★ 1.42		<b>RF101</b>	4P
		257	278	5.67	★ 1.55			
		310	231	4.71	2.9			
		346	207	4.22	3.8			
		384	186	3.80	4.2			
		465	154	3.14	5.1			
		509	141	2.87	5.6			
		553	130	2.64	6.1			
		627	114	2.33	6.9			
		257	278	5.67	★ 1.43	<b>R 91</b>	4P	152
		302	237	4.83	★ 1.58		<b>RF91</b>	4P
		384	186	3.80	3.0			
		432	166	3.38	3.4			
		453	158	3.22	3.6			
		505	142	2.89	4.0			
		557	129	2.62	4.4			
	611	117	2.39	4.9				
	670	107	2.18	5.6				
	760	94	1.92	7.2				
	317	226	4.60	★ 1.22	<b>R 81</b>	4P	127	
	357	201	4.09	★ 1.42		<b>RF81</b>	4P	132
	398	180	3.67	★ 1.61				
	441	162	3.31	2.4				
	514	139	2.84	2.8				
	613	117	2.38	3.3				
	692	104	2.11	3.5				
	811	88	1.80	3.8				
	896	80	1.63	3.7				
	1043	69	1.40	4.0				
	442	162	3.30	★ 1.07	<b>R 71</b>	4P	107	
	502	143	2.91	★ 1.43		<b>RF71</b>	4P	112
	566	127	2.58	★ 1.61				
	632	113	2.31	1.72				
	705	102	2.07	1.87				
	781	92	1.87	1.94				
	907	79	1.61	2.1				
	1050	68	1.39	2.2				

# ER SERIES REDUCTOR

Power (kW)	Output speed (r/min)	Output torque (N·m)	Ratio (i)		Service factor (fB)	Type	Motor pole	Weight (kg)	
<b>7.5</b>	643	111	2.27	★	1.11	R 61	4P	90	
	825	87	1.77		1.38	RF 61	4P	91	
	930	77	1.57		1.41				
	1043	69	1.40		1.44				
<b>11</b>	4.9	18047	295		0.95	ER 167ER107	4P	1130	
	5.4	16384	268		1.04	ERF 167ER107	4P	1140	
	6.4	13905	227		1.23				
	7.3	12186	199		1.40				
	8.8	10131	166		1.69				
	4.3	20744	339		0.82	ER 167ER97	4P	1070	
	4.9	18389	301		0.93	ERF 167ER97	4P	1080	
	5.3	16918	277		1.01				
	6.0	14973	245		0.82	ER 147ER87	4P	682	
	6.8	13103	214		0.94	ERF 147ER87	4P	692	
	7.8	11468	188		1.08				
	9.3	9623	157		1.28				
	5.3	20009	182.85		0.85	ER 167	6P	970	
	6.2	16906	154.50		1.01	ERF 167	6P	980	
	6.9	15252	139.38		1.12				
	7.8	13460	123.00		1.27				
	6.2	17066	237.19	★	1.00	ER 167	4P	925	
	8.0	13156	182.85		1.30	ERF 167	4P	935	
	9.4	11117	154.50		1.54				
	10	10029	139.38		1.71				
	11	9365	130.16		1.83				
	12	8850	123.00		1.93				
	13	8378	116.44		2.0				
	14	7543	104.83		2.3				
	15	6826	94.88		2.5				
	16	6454	89.70		2.6				
	17	6110	84.92		2.8				
	18	5792	80.50		3.0				
	19	5402	75.08		3.2				
	22	4789	66.56		3.6				
	25	4275	59.41		4.0				
	26	4047	56.25		4.2				
	27	3836	53.32		4.5				
	33	3211	44.63		5.3				
	35	3036	42.19		5.6				
	37	2874	39.94		5.9				
	39	2724	37.86	6.3					
	6.6	15913	145.42		0.80	ER 147	6P	640	
	8.1	13001	118.81		0.95	ERF 147	6P	650	
	9.1	11596	105.97		1.07				
	10	10204	93.25		1.21				
	12	9054	82.74		1.36				
	9.0	11708	162.72	★	1.05	ER 147	4P	595	
	10	10464	145.42		1.18	ERF 147	4P	605	
	12	8970	124.66		1.38				
	12	8548	118.81		1.44				
	13	8158	113.39		1.51				
	14	7625	105.97		1.62				
	15	7144	99.29		1.73				
	16	6709	93.25		1.84				
	17	6314	87.76		1.96				
	18	5953	82.74		2.1				
	20	5318	73.92		2.3				
	21	4904	68.16		2.5				
	24	4367	60.69		2.8				
	28	3710	51.57		3.3				
	10	10255	142.52		★	0.80	ER 137	4P	415
	11	9683	134.58			0.80	ERF 137	4P	435
	11	9162	127.33	0.83					

# ER SERIES REDUCTOR

Power (kW)	Output speed (r/min)	Output torque (N·m)	Ratio (i)	Service factor (fB)	Type	Motor pole	Weight (kg)
<b>11</b>	12	8683	120.68	0.88	<b>ER 137</b>	4P	415
	13	8243	114.57	0.92		<b>ERF 137</b>	4P
	14	7461	103.70	1.02			
	15	6787	94.33	★	1.12		
	17	6334	88.03		1.20		
	18	5981	83.12		1.27		
	20	5363	74.54		1.42		
	23	4608	64.05		1.65		
	25	4192	58.26		1.81		
	28	3746	52.06		2.0		
	30	3510	48.79		2.2		
	32	3296	45.80		2.3		
	34	3099	43.07		2.5		
	36	2918	40.55		2.6		
	38	2750	38.23		2.8		
45	2318	32.21		3.3			
	22	4670	64.90	0.87	<b>ER 107</b>	4P	315
	25	4212	58.54	0.97		<b>ERF 107</b>	4P
	27	3910	54.35	1.04			
	31	3393	47.16	1.20			
	35	2967	41.23	1.38			
	40	2608	36.25	1.57			
	46	2302	32.00	1.77			
	48	2166	30.10	1.89			
	46	2277	31.64	★	<b>ER 107</b>	4P	315
	49	2128	29.58	★		<b>ERF 107</b>	4P
	53	1995	27.73	★			
	56	1875	26.06	★			
	59	1767	24.56	★			
	63	1669	23.19				
	67	1579	21.94				
	70	1496	20.80				
	74	1420	19.74				
	82	1286	17.87				
	94	1117	15.53				
	101	1045	14.52				
	107	979	13.61				
	114	919	12.78				
	122	865	12.02				
	129	814	11.31				
	137	767	10.66				
	145	724	10.06				
	35	3036	42.19	0.94	<b>ER 97</b>	4P	245
	38	2732	37.97	1.04		<b>ERF 97</b>	4P
	42	2530	35.16	1.13			
	45	2346	32.60	1.17			
	52	2024	28.13	1.25			
	58	1801	25.03	★	<b>ER 97</b>	4P	245
	62	1686	23.43	★		<b>ERF 97</b>	4P
	66	1582	21.99	★			
	71	1489	20.69	★			
	75	1403	19.50				
	79	1326	18.42				
	84	1254	17.43				
	88	1189	16.52				
	98	1072	14.90				
	122	864	12.00				
	139	755	10.49				
	158	664	9.23				
	179	586	8.14				
	212	497	6.90				
	242	434	6.03				
	275	382	5.30				
	331	317	4.40				
	70	1511	21.00	★	<b>ER 87</b>	4P	195
	74	1417	19.69	★		<b>ERF 87</b>	4P

# ER SERIES REDUCTOR

Power (kW)	Output speed (r/min)	Output torque (N · m)	Ratio (i)		Service factor (fB)	Type	Motor pole	Weight (kg)	
<b>11</b>	84	1254	17.43	★	1.05	<b>ER 87</b> <b>ERF87</b>	4P	195	
	89	1183	16.45		1.10		4P	202	
	94	1119	15.55		1.14				
	99	1059	14.72		1.18				
	105	1004	13.95		1.24				
	110	953	13.24		1.28				
	119	880	12.23		1.33				
	149	707	9.83		1.59				
	157	671	9.33		1.71				
	182	576	8.01		1.91				
	211	497	6.91		2.0				
	227	463	6.43		2.1				
	245	429	5.96		2.1				
	284	370	5.14		2.3				
		131	805	11.18			0.80	<b>ER 77</b> <b>ERF 77</b>	4P
	140	751	10.43		0.84	4P	171		
	150	702	9.75		0.85				
	160	656	9.12		0.91				
	171	614	8.54		0.97				
	184	570	7.92		1.02				
	211	497	6.91		1.11				
	241	435	6.05		1.18				
	310	339	4.71	★	1.95	<b>R 101</b> <b>RF101</b>	4P	210	
	346	304	4.22		2.6		4P	225	
	384	273	3.80		2.9				
	465	226	3.14		3.5				
	509	207	2.87		3.8				
	553	190	2.64		4.2				
	627	168	2.33		4.7				
	702	150	2.08		4.9				
	785	134	1.86		5.2				
	874	120	1.67		5.6				
	924	114	1.58		5.6				
	1028	102	1.42		6.0				
	302	348	4.83	★	1.08	<b>R 91</b> <b>RF91</b>	4P	190	
	384	273	3.80		2.1		4P	200	
	432	243	3.38		2.3				
	453	232	3.22		2.4				
	505	208	2.89		2.7				
	557	189	2.62		3.0				
	611	172	2.39		3.4				
	670	157	2.18		3.8				
	760	138	1.92		4.9				
	864	122	1.69		3.9				
	1098	96	1.33		4.5				
	441	238	3.31		1.62		<b>R 81</b> <b>RF81</b>	4P	165
	514	204	2.84		1.88	4P		170	
	613	171	2.38		2.2				
	692	152	2.11		2.4				
	811	130	1.80		2.6				
	896	117	1.63		2.6				
	1043	101	1.40		2.7				
	632	166	2.31		1.17	<b>R 71</b> <b>RF71</b>	4P	145	
	705	149	2.07		1.28		4P	150	
	781	135	1.87		1.32				
	907	116	1.61		1.42				
	1050	100	1.39		1.47				
<b>15</b>	6.4	18962	227		0.90	<b>ER 167ER107</b> <b>ERF 167ER107</b>	4P	1149	
	7.3	16617	199		1.03		4P	1159	
	8.8	13815	166		1.24				
		6.3	22817	154.50		0.80	<b>ER 167ER</b> <b>ERF 167ER</b>	6P	1000
		7.0	20584	139.38		0.83		6P	1010
		7.9	18165	123.00		0.94			
		9.3	15481	104.83		1.10			

# ER SERIES REDUCTOR

Power (kW)	Output speed (r/min)	Output torque (N·m)	Ratio (i)	Service factor (fB)	Type	Motor pole	Weight (kg)		
<b>15</b>	6.2	23272	237.19 ★	0.80	<b>ER 167</b> <b>ERF 167</b>	4P	944		
	8.0	17941	182.85	0.95		4P	954		
	9.4	15159	154.50	1.13					
	10	13675	139.38	1.25					
	11	12771	130.16	1.34					
	12	12068	123.00	1.42					
	13	11424	116.44	1.50					
	14	10285	104.83	1.66					
	15	9309	94.88	1.84					
	16	8801	89.70	1.94					
	17	8332	84.92	2.1					
	18	7898	80.50	2.2					
	19	7367	75.08	2.3					
	22	6531	66.56	2.6					
	25	5829	59.41	2.9					
	26	5519	56.25	3.1					
	27	5231	53.32	3.3					
	33	4378	44.63	3.9					
	35	4140	42.19	4.1					
	37	3919	39.94	4.4					
	39	3715	37.86	4.6					
		9.2	15649	105.97		0.80	<b>ER 147</b> <b>ERF 147</b>	6P	670
		10	13771	93.25		0.90		6P	680
		12	12219	82.74		1.01			
		13	10916	73.92		1.13			
		14	10065	68.16		1.23			
		9.0	15966	162.72 ★		0.80	<b>ER 147</b> <b>ERF 147</b>	4P	614
		10	14268	145.42		0.87		4P	624
		12	12232	124.66		1.01			
		12	11657	118.81		1.06			
		13	11125	113.39		1.11			
		14	10397	105.97		1.19			
		15	9742	99.29		1.27			
		16	9149	93.25		1.35			
		17	8610	87.76		1.43			
		18	8118	82.74		1.52			
		20	7252	73.92		1.70			
		21	6687	68.16		1.85			
		24	5955	60.69		2.1			
	28	5060	51.57	2.4					
	30	4804	48.96	2.6					
	32	4490	45.76	2.8					
	34	4203	42.84	2.9					
	36	3941	40.16	3.1					
	14	10174	103.70	0.80	<b>ER 137</b> <b>ERF 137</b>	4P	434		
	15	9255	94.33	0.82		4P	454		
	17	8637	88.03 ★	0.88					
	18	8156	83.12	0.93					
	20	7313	74.54	1.04					
	23	6284	64.05	1.21					
	25	5716	58.26	1.33					
	28	5108	52.06	1.49					
	32	4494	45.80	1.69					
	34	4226	43.07	1.80					
	38	3751	38.23	2.0					
	45	3161	32.21	2.4					
	50	2883	29.38	2.6					
	53	2682	27.33	2.8					
	31	4627	47.16	0.88	<b>ER 107</b> <b>ERF 107</b>	4P	334		
	35	4045	41.23	1.01		4P	339		
	40	3556	36.25	1.15					
	46	3140	32.00	1.30					
	48	2954	30.10	1.38					
	46	3105	31.64 ★	1.32	<b>ER 107</b> <b>ERF 107</b>	4P	334		
	49	2902	29.58 ★	1.41		4P	339		

# ER SERIES REDUCTOR

Power (kW)	Output speed (r/min)	Output torque (N · m)	Ratio (i)		Service factor (fB)	Type	Motor pole	Weight (kg)	
<b>15</b>	53	2721	27.73	★	1.50	ER 107 ERF 107	4P	334	
	56	2557	26.06	★	1.60				
	59	2410	24.56	★	1.70				
	63	2275	23.19		1.80				
	67	2153	21.94		1.90				
	70	2040	20.80		2.0				
	74	1937	19.74		2.1				
	82	1753	17.87		2.3				
	94	1523	15.53		2.7				
	101	1425	14.52		2.9				
	107	1336	13.61		3.1				
	114	1254	12.78		3.3				
	122	1179	12.02		3.5				
	129	1110	11.31		3.7				
	137	1046	10.66		3.9				
	145	987	10.06		4.1				
		35	4140	42.19	★	0.80	ER 97 ERF 97	4P	264
		38	3726	37.97		0.80			
		42	3450	35.16		0.83			
		45	3199	32.60		0.86			
		52	2760	28.13		0.92			
		58	2456	25.03	★	1.09	ER 97 ERF 97	4P	264
		62	2299	23.43	★	1.15			
		66	2158	21.99	★	1.20			
		71	2030	20.69	★	1.22			
		75	1914	19.50		1.27			
		79	1808	18.42		1.31			
		84	1710	17.43		1.36			
		88	1621	16.52		1.41			
		98	1462	14.90		1.49			
		122	1178	12.00		1.77			
		139	1030	10.49		1.93			
		158	905	9.23		2.1			
		179	799	8.14		2.4			
		212	677	6.90		2.7			
		242	592	6.03		3.0			
		275	520	5.30		3.2			
		331	432	4.40		3.6			
		70	2060	21.00	★	0.80	ER 87 ERF 87	4P	214
		74	1932	19.69	★	0.80			
		84	1710	17.43	★	0.80			
		89	1614	16.45		0.80			
		94	1525	15.55		0.83			
		99	1444	14.72		0.87			
		105	1369	13.95		0.91			
		110	1299	13.24		0.94			
		119	1200	12.23		0.97			
		149	964	9.83		1.16			
		157	915	9.33		1.26			
		182	786	8.01		1.40			
		211	678	6.91		1.50			
		227	631	6.43		1.54			
		245	585	5.96		1.56			
		284	505	5.14		1.71			
		310	462	4.71	★	1.43		R 101 RF101	4P
		346	414	4.22		1.90			
		384	373	3.80		2.1			
		465	308	3.14		2.6			
		509	282	2.87		2.8			
		553	259	2.64		3.0			
		627	229	2.33		3.4			
		702	204	2.08		3.6			
		785	182	1.86		3.8			
		874	164	1.67		4.1			
		924	155	1.58		4.1			
		1028	139	1.42		4.4			

# ER SERIES REDUCTOR

Power (kW)	Output speed (r/min)	Output torque (N·m)	Ratio (i)	Service factor (fB)	Type	Motor pole	Weight (kg)		
<b>15</b>	302	474	4.83	★ 0.80	<b>R 91</b> <b>RF91</b>	4P	209		
	384	373	3.80	1.52		4P	219		
	432	332	3.38	1.70					
	453	316	3.22	1.79					
	505	284	2.89	1.99					
	557	257	2.62	2.2					
	611	234	2.39	2.5					
	670	214	2.18	2.8					
	760	188	1.92	3.6					
	864	166	1.69	2.9					
	1098	130	1.33	3.3					
	514	279	2.84	1.38		<b>R 81</b> <b>RF81</b>	4P	184	
	613	234	2.38	1.65			4P	189	
	692	207	2.11	1.77					
	811	177	1.80	1.91					
	896	160	1.63	1.87					
	1043	137	1.40	2.01					
	<b>18.5</b>	8.0	21976	182.85		★ 0.80	<b>ER 167</b> <b>ERF 167</b>	4P	989
		9.5	18569	154.50		0.92		4P	999
11		16752	139.38	1.02					
11		15643	130.16	1.09					
12		14783	123.00	1.16					
13		13994	116.44	1.22					
14		12599	104.83	1.36					
15		11403	94.88	1.50					
16		10781	89.70	1.59					
17		10207	84.92	1.68					
18		9675	80.50	1.77					
20		9024	75.08	1.90					
22		8000	66.56	2.1					
25		7141	59.41	2.4					
26		6760	56.25	2.5					
28		6408	53.32	2.7					
33		5363	44.63	3.2					
35		5071	42.19	3.4					
37		4801	39.94	3.6					
39		4551	37.86	3.8					
12		14279	118.81	0.86	<b>ER 147</b> <b>ERF 147</b>	4P	659		
13		13628	113.39	0.91		4P	669		
14		12736	105.97	0.97					
15		11933	99.29	1.03					
16		11207	93.25	1.10					
17		10547	87.76	1.17					
18		9944	82.74	1.24					
20		8884	73.92	1.39					
22		8191	68.16	1.51					
24		7294	60.69	1.69					
29		6198	51.57	1.99					
30		5884	48.96	2.1					
32		5500	45.76	2.2					
34		5149	42.84	2.4					
37		4827	40.16	2.6					
18		9990	83.12	★ 0.80		<b>ER 137</b> <b>ERF 137</b>	4P	479	
20		8959	74.54	★ 0.85	4P		499		
23		7698	64.05	0.99					
25		7002	58.26	1.09					
28		6257	52.06	1.21					
32		5505	45.80	1.38					
34		5176	43.07	1.47					
38		4594	38.23	1.65					
46		3872	32.21	1.96					
50		3532	29.38	2.2					
54	3285	27.33	2.2						
36	4955	41.23	0.82	<b>ER 107</b> <b>ERF 107</b>	4P		379		
41	4356	36.25	0.94		4P		384		
46	3846	32.00	1.06						
49	3618	30.10	1.13						

# ER SERIES REDUCTOR

Power (kW)	Output speed (r/min)	Output torque (N · m)	Ratio (i)		Service factor (fB)	Type	Motor pole	Weight (kg)		
<b>18.5</b>	46	3803	31.64	★	1.07	<b>ER 107</b> <b>ERF107</b>	4P	379		
	50	3555	29.58	★	1.15		4P	384		
	53	3332	27.73	★	1.23					
	56	3133	26.06	★	1.30					
	60	2952	24.56	★	1.38					
	63	2787	23.19	★	1.47					
	67	2637	21.94	★	1.55					
	71	2499	20.80	★	1.63					
	74	2373	19.74	★	1.72					
	82	2148	17.87		1.90					
	95	1866	15.53		2.2					
	101	1746	14.52		2.3					
	108	1636	13.61		2.5					
	115	1536	12.78		2.7					
	122	1444	12.02		2.8					
	130	1360	11.31		3.0					
	138	1282	10.66		3.2					
	146	1210	10.06		3.4					
	164	1080	8.99		3.8					
	185	954	7.94		3.0					
	223	793	6.60		3.6					
	236	748	6.22		3.8					
	250	706	5.87		4.0					
	280	630	5.24		4.4					
		71	2486	20.69	★		1.00	<b>ER 97</b> <b>ERF97</b>	4P	309
		75	2344	19.50	★		1.04		4P	324
		80	2214	18.42	★		1.07			
		84	2095	17.43	★		1.11			
	89	1985	16.52	★	1.15					
	99	1791	14.90		1.22					
	122	1443	12.00		1.44					
	140	1261	10.49		1.57					
	159	1109	9.23		1.74					
	180	979	8.14		1.97					
	213	829	6.90		2.2					
	244	725	6.03		2.5					
	277	637	5.30		2.7					
	334	529	4.40		2.9					
	111	1592	13.24	★	0.80	<b>ER 87</b> <b>ERF87</b>	4P		259	
	120	1470	12.23	★	0.80		4P	266		
	150	1181	9.83		0.95					
	158	1121	9.33		1.03					
	184	962	8.01		1.14					
	213	830	6.91		1.22					
	229	773	6.43		1.25					
	247	716	5.96		1.27					
	286	618	5.14		1.40					
	348	507	4.22	★	1.55		<b>R 101</b> <b>RF101</b>	4P	274	
	387	457	3.80		1.73	4P		289		
	468	377	3.14		2.1					
	512	345	2.87		2.3					
	557	317	2.64		2.5					
	631	280	2.33		2.8					
	707	250	2.08		2.9					
	790	224	1.86		3.1					
	880	201	1.67		3.3					
	930	190	1.58		3.4					
	1035	171	1.42		3.6					
	435	406	3.38	★	1.39	<b>R 91</b> <b>RF91</b>		4P	254	
	457	387	3.22		1.46			4P	264	
	509	347	2.89		1.63					
	561	315	2.62		1.80					
	615	287	2.39		2.0					
	674	262	2.18		2.3					
	766	231	1.92		2.9					



# ER SERIES REDUCTOR

Power (kW)	Output speed (r/min)	Output torque (N · m)	Ratio (i)		Service factor (fB)	Type	Motor pole	Weight (kg)	
<b>18.5</b>	870	203	1.69		2.4	<b>R 91</b> <b>RF91</b>	4P	254	
	1105	160	1.33		2.7		4P	264	
	518	341	2.84	★	1.13	<b>R 81</b> <b>RF81</b>	4P	229	
	618	286	2.38		1.35		4P	234	
	697	254	2.11		1.44				
	817	216	1.80		1.56				
	902	196	1.63		1.53				
	1050	168	1.40		1.64				
	<b>22</b>	9.5	22082	154.50		0.80	<b>ER 167</b> <b>ERF167</b>	4P	1000
		11	19921	139.38		0.86		4P	1010
11		18603	130.16		0.92				
12		17580	123.00		0.97				
13		16642	116.44		1.03				
14		14982	104.83		1.14				
15		13560	94.88		1.26				
16		12820	89.70		1.33				
17		12138	84.92		1.41				
18		11505	80.50		1.49				
20		10731	75.08		1.59				
22		9514	66.56		1.80				
25		8491	59.41		2.0				
26		8039	56.25		2.1				
28		7621	53.32		2.2				
33		6378	44.63		2.7				
35		6030	42.19		2.8				
37		5709	39.94		3.0				
39		5412	37.86		3.2				
14		15145	105.97		0.82	<b>ER 147</b> <b>ERF147</b>	4P	670	
15		14191	99.29		0.87		4P	680	
16		13327	93.25		0.93				
17		12543	87.76		0.98				
18		11826	82.74		1.04				
20		10564	73.92		1.17				
22		9741	68.16		1.27				
24		8674	60.69		1.42				
29		7370	51.57		1.68				
30		6998	48.96		1.76				
32		6541	45.76		1.89				
34		6123	42.84		2.0				
37		5740	40.16		2.2				
41		5063	35.43		2.4				
44		4762	33.32		2.6				
40		5214	36.48		2.4				
43		4873	34.10		2.5				
46		4562	31.92		2.7				
49		4277	29.92		2.9				
56		3773	26.40		3.1				
59		3548	24.83		3.2				
23		9154	64.05		0.83	<b>ER 137</b> <b>ERF137</b>	4P	490	
25		8327	58.26		0.91		4P	510	
28		7441	52.06		1.02				
32		6546	45.80		1.16				
34		6155	43.07		1.23				
38	5463	38.23		1.39					
46	4604	32.21		1.65					
50	4200	29.38		1.81					
54	3906	27.33		1.87					
49	4271	29.88	★	1.78	<b>ER 137</b> <b>ERF137</b>	4P	490		
61	3465	24.24	★	2.2		4P	510		
64	3302	23.10		2.3					
67	3152	22.05		2.4					
76	2760	19.31		2.8					
81	2592	18.13		2.9					
86	2439	17.07		3.1					
91	2300	16.09		3.3					
97	2172	15.20		3.5					

# ER SERIES REDUCTOR

Power (kW)	Output speed (r/min)	Output torque (N · m)	Ratio (i)	Service factor (fB)	Type	Motor pole	Weight (kg)	
<b>22</b>	102	2054	14.37	3.7	<b>ER 137</b>	4P	490	
	112	1878	13.14	4.0		<b>ERF137</b>	4P	510
	120	1752	12.26	4.3				
	128	1638	11.46	4.6				
	137	1533	10.73	5.0				
	146	1437	10.06	5.3				
	41	5180	36.25	0.80	<b>ER 107</b>	4P	379	
	46	4574	32.00	0.89	<b>ERF107</b>	4P	384	
	49	4303	30.10	0.95				
	46	4522	31.64	★	0.90	<b>ER 107</b>	4P	379
	50	4227	29.58	★	0.97	<b>ERF107</b>	4P	384
	53	3963	27.73	★	1.03			
	56	3725	26.06	★	1.10			
	60	3510	24.56	★	1.16			
	63	3314	23.19	★	1.23			
	67	3136	21.94	★	1.30			
	71	2972	20.80	★	1.37			
	74	2822	19.74	★	1.45			
	82	2554	17.87		1.60			
	95	2219	15.53		1.84			
	101	2076	14.52		1.97			
	108	1945	13.61		2.1			
115	1826	12.78		2.2				
122	1717	12.02		2.4				
130	1617	11.31		2.5				
138	1524	10.66		2.7				
146	1438	10.06		2.8				
164	1285	8.99		3.2				
185	1135	7.94		2.5				
223	943	6.60		3.0				
236	889	6.22		3.2				
250	839	5.87		3.4				
280	749	5.24		3.7				
71	2957	20.69	★	0.84	<b>ER 97</b>	4P	309	
75	2788	19.50	★	0.87	<b>ERF97</b>	4P	324	
80	2633	18.42	★	0.90				
84	2491	17.43	★	0.93				
89	2361	16.52	★	0.97				
99	2129	14.90		1.03				
122	1716	12.00		1.21				
140	1500	10.49		1.32				
159	1319	9.23		1.46				
180	1164	8.14		1.66				
213	986	6.90		1.88				
244	862	6.03		2.1				
277	758	5.30		2.2				
334	630	4.40		2.5				
150	1405	9.83		0.80	<b>ER 87</b>	4P	259	
158	1333	9.33		0.86	<b>ERF87</b>	4P	266	
184	1145	8.01		0.96				
213	987	6.91		1.03				
229	919	6.43		1.05				
247	852	5.96		1.07				
286	735	5.14		1.18				
348	603	4.22	★	1.31	<b>R 101</b>	4P	274	
387	543	3.80		1.45	<b>RF101</b>	4P	289	
468	449	3.14		1.76				
512	410	2.87		1.92				
557	377	2.64		2.1				
631	333	2.33		2.4				
707	297	2.08		2.4				
790	266	1.86		2.6				
880	239	1.67		2.8				
930	226	1.58		2.8				
1035	203	1.42		3.0				

# ER SERIES REDUCTOR

Power (kW)	Output speed (r/min)	Output torque (N · m)	Ratio (i)		Service factor (fB)	Type	Motor pole	Weight (kg)	
<b>22</b>	435	483	3.38	★	1.17	<b>R 91</b> <b>RF91</b>	4P 4P	254	
	457	460	3.22		1.23			264	
	509	413	2.89		1.37				
	561	374	2.62		1.51				
	615	342	2.39		1.70				
	674	312	2.18		1.91				
	766	274	1.92		2.5				
	870	242	1.69		1.99				
	1105	190	1.33	2.3					
		518	406	2.84	★	0.95	<b>R 81</b> <b>RF81</b>	4P 4P	229
		618	340	2.38		1.13			234
		697	302	2.11		1.21			
		817	257	1.80		1.31			
		902	233	1.63		1.28			
		1050	200	1.40		1.38			
<b>30</b>	14	20431	104.83		0.84	<b>ER 167</b> <b>ERF 167</b>	4P 4P	1070	
	15	18491	94.88		0.92			1080	
	16	17482	89.70		0.98				
	17	16551	84.92		1.03				
	18	15689	80.50		1.09				
	20	14633	75.08		1.17				
	22	12973	66.56		1.32				
	25	11579	59.41		1.48				
	26	10963	56.25		1.56				
	28	10392	53.32		1.65				
	33	8697	44.63		1.97				
	35	8223	42.19		2.1				
	37	7785	39.94		2.2				
	39	7380	37.86		2.3				
	42	6800	34.89		2.5				
	45	6325	32.45		2.7				
	49	5894	30.24		2.9				
	52	5500	28.22		3.1				
	56	5139	26.37		3.3				
	60	4807	24.67		3.6				
	64	4501	23.09		3.8				
		18	16126	82.74				0.80	<b>ER 147</b> <b>ERF 147</b>
		20	14406	73.92		0.86	750		
		22	13283	68.16		0.93			
		24	11829	60.69		1.04			
		29	10050	51.57		1.23			
		30	9542	48.96		1.29			
		32	8919	45.76		1.38			
		34	8350	42.84		1.48			
		37	7828	40.16		1.58			
		41	6904	35.43		1.79			
		44	6494	33.32		1.90			
		40	7110	36.48		1.74			
		43	6645	34.10		1.86			
		46	6221	31.92		1.99			
		49	5832	29.92		2.1			
		56	5144	26.40		2.3			
		59	4839	24.83		2.3			
		74	3877	19.89		2.9	<b>ER 147</b> <b>ERF 147</b>	4P 4P	740
		78	3664	18.80		2.9			750
		83	3468	17.80		2.9			
		92	3122	16.02		4.0			
		107	2672	13.71		4.5			
		113	2530	12.98		4.9			
	119	2398	12.30		5.2				
	28	10146	52.06		0.80	<b>ER 137</b> <b>ERF 137</b>	4P 4P	560	
	32	8927	45.80		0.85			580	
	34	8394	43.07		0.91				
	38	7450	38.23		1.02				
	46	6279	32.21		1.21				
	50	5727	29.38		1.33				
	54	5327	27.33		1.37				

# ER SERIES REDUCTOR

Power (kW)	Output speed (r/min)	Output torque (N · m)	Ratio (i)		Service factor (fB)	Type	Motor pole	Weight (kg)	
<b>30</b>	49	5824	29.88	★	1.30	<b>ER 137</b>	4P	560	
	61	4725	24.24	★	1.61				
	64	4503	23.10	★	1.69				
	67	4298	22.05	★	1.77				
	76	3763	19.31		2.0				
	81	3534	18.13		2.2				
	86	3326	17.07		2.3				
	91	3136	16.09		2.4				
	97	2962	15.20		2.6				
	102	2802	14.37		2.7				
	112	2561	13.14		3.0				
	120	2389	12.26		3.2				
	128	2233	11.46		3.4				
	137	2091	10.73		3.6				
	146	1960	10.06		3.9				
	166	1729	8.87		4.3				
	176	1626	8.34		4.6				
	191	1503	7.71		3.2				
	232	1233	6.33		3.9				
	280	1023	5.25		4.3				
		63	4520	23.19	★	0.90	<b>ER 107</b>	4P	460
		67	4276	21.94	★	0.96			
		71	4053	20.80	★	1.01			
		74	3848	19.74	★	1.06			
		82	3483	17.87	★	1.17			
		95	3026	15.53		1.35			
		101	2831	14.52		1.44			
		108	2653	13.61		1.54			
		115	2491	12.78		1.64			
		122	2342	12.02		1.74			
		130	2205	11.31		1.85			
		138	2078	10.66		1.97			
		146	1961	10.06		2.1			
		164	1752	8.99		2.3			
		185	1548	7.94		1.82			
		223	1286	6.60		2.2			
		236	1213	6.22		2.3			
		250	1144	5.87		2.5			
	280	1022	5.24		2.7				
	99	2904	14.90	★	0.80	<b>ER 97</b>	4P	390	
	122	2340	12.00		0.89				
	140	2045	10.49		0.97				
	159	1798	9.23		1.07				
	180	1587	8.14		1.21				
	213	1345	6.90		1.38				
	244	1176	6.03		1.53				
	277	1034	5.30		1.64				
	334	858	4.40		1.80				
	468	612	3.14		1.29				
	512	559	2.87		1.41				
	557	515	2.64		1.53				
	631	454	2.33		1.74				
	707	405	2.08		1.79				
	790	363	1.86		1.93				
	880	325	1.67		2.1				
	930	308	1.58		2.1				
	1035	277	1.42		2.2				
	561	511	2.62		1.11	<b>R 91</b>	4P	335	
	615	466	2.39		1.24				
	674	425	2.18		1.40				
	766	374	1.92		1.81				
	870	329	1.69		1.46				
	1105	259	1.33		1.67				

# ER SERIES REDUCTOR

Power (kW)	Output speed (r/min)	Output torque (N·m)	Ratio (i)	Service factor (fB)	Type	Motor pole	Weight (kg)
<b>37</b>	16	22728	94.88	0.80	<b>ERF 167</b>	4P	1090
	16	21488	89.70	0.80			
	17	20344	84.92	0.84			
	18	19285	80.50	0.89			
	20	17986	75.08	0.95			
	22	15946	66.56	1.07			
	25	14233	59.41	1.20			
	26	13475	56.25	1.27			
	28	12773	53.32	1.34			
	33	10690	44.63	1.60			
	35	10107	42.19	1.69			
	37	9569	39.94	1.79			
	39	9071	37.86	1.89			
42	8358	34.89	2.0				
45	7775	32.45	2.2				
49	7245	30.24	2.4				
52	6761	28.22	2.5				
56	6317	26.37	2.7				
60	5909	24.67	2.9				
64	5532	23.09	3.1				
47	7513	31.36	1.26	<b>ER 167</b>	4P	1090	
59	6011	25.09	2.2				
67	5259	21.95	2.3				
76	4645	19.39	3.3				
86	4132	17.25	3.4				
101	3506	14.64	4.9				
125	2825	11.79	5.7				
22	16327	68.16	0.80	<b>ERF 147</b>	4P	760	
24	14539	60.69	0.85				
29	12354	51.57	1.00				
30	11729	48.96	1.05				
32	10963	45.76	1.13				
34	10263	42.84	1.20				
37	9622	40.16	1.28				
42	8487	35.43	1.46				
44	7982	33.32	1.55				
40	8739	36.48	1.41				
43	8168	34.10	1.51				
46	7647	31.92	1.62				
49	7169	29.92	1.72				
56	6323	26.40	1.83				
59	5947	24.83	1.90				
74	4765	19.89	2.4	<b>ER 147</b>	4P	760	
78	4503	18.80	2.4				
83	4263	17.80	2.3				
92	3838	16.02	3.2				
108	3284	13.71	3.6				
114	3109	12.98	4.0				
120	2947	12.30	4.2				
39	9157	38.23	0.83	<b>ERF 137</b>	4P	580	
46	7717	32.21	0.98				
50	7039	29.38	1.08				
54	6547	27.33	1.11				
49	7158	29.88	★	<b>ERF 137</b>	4P	580	
61	5808	24.24	★				
64	5535	23.10	★				
67	5282	22.05	★				
76	4626	19.31					
81	4344	18.13					
86	4088	17.07					
92	3855	16.09					
97	3641	15.20					
103	3444	14.37					
112	3148	13.14					
120	2937	12.26					
129	2745	11.46					
138	2570	10.73					

# ER SERIES REDUCTOR

Power (kW)	Output speed (r/min)	Output torque (N · m)	Ratio (i)	Service factor (fB)	Type	Motor pole	Weight (kg)			
<b>37</b>	147	2409	10.06	3.2	<b>ER 137</b>	4P	580			
	166	2125	8.87	3.5						
	177	1999	8.34	3.7						
	191	1848	7.71	2.6						
	233	1516	6.33	3.2						
	281	1258	5.25	3.5						
	95	3720	15.53	1.10	<b>ER 107</b>	4P	480			
	102	3479	14.52	1.17						
	108	3261	13.61	1.25						
	115	3061	12.78	1.33						
	123	2878	12.02	1.42						
	130	2710	11.31	1.51						
	138	2555	10.66	1.60						
	147	2411	10.06	1.69						
	164	2153	8.99	1.90						
	186	1902	7.94	1.48						
	223	1581	6.60	1.78						
	237	1490	6.22	1.89						
	251	1407	5.87	2.0						
	281	1256	5.24	2.2						
	470	752	3.14	1.05				<b>R 101</b>	4P	375
	514	688	2.87	1.15						
	559	632	2.64	1.25						
	633	558	2.33	1.41						
	709	498	2.08	1.46						
	793	446	1.86	1.57						
	883	400	1.67	1.67						
	934	379	1.58	1.68						
	1039	340	1.42	1.80						
	<b>45</b>	20	21875	75.08	0.80	<b>ER 167</b>	4P			
22		19394	66.56	0.88						
25		17310	59.41	0.99	<b>ERF 167</b>	4P	1155			
26		16388	56.25	1.04						
28		15535	53.32	1.10						
33		13002	44.63	1.32						
35		12293	42.19	1.39						
37		11638	39.94	1.47						
39		11032	37.86	1.55						
42		10165	34.89	1.68						
45		9456	32.45	1.81						
49		8811	30.24	1.94						
52		8222	28.22	2.1						
56		7683	26.37	2.2						
60		7186	24.67	2.4						
64		6728	23.09	2.5						
47		9138	31.36	1.04				<b>ER 167</b>	4P	1145
59		7310	25.09	1.82						
67		6397	21.95	1.93						
76		5649	19.39	2.7						
86		5026	17.25	2.8						
101		4264	14.64	4.0						
125		3436	11.79	4.7						
29		15025	51.57	0.82	<b>ER 147</b>	4P	815			
30		14265	48.96	0.87						
32		13333	45.76	0.93						
34		12482	42.84	0.99						
37		11702	40.16	1.06						
42		10322	35.43	1.20						
44		9708	33.32	1.27						
40	10629	36.48	1.16							
43	9934	34.10	1.24							
46	9300	31.92	1.33							
49	8719	29.92	1.42							
56	7690	26.40	1.51							
59	7233	24.83	1.56							

# ER SERIES REDUCTOR

Power (kW)	Output speed (r/min)	Output torque (N · m)	Ratio (i)	Service factor (fB)	Type	Motor pole	Weight (kg)
<b>45</b>	74	5796	19.89	1.97	<b>ER 147</b>	4P	815
	78	5477	18.80	1.94			
	83	5185	17.80	1.92	<b>ERF 147</b>	4P	825
	92	4668	16.02	2.6			
	108	3994	13.71	3.0			
	114	3782	12.98	3.3			
	120	3585	12.30	3.4			
	150	2863	9.83	4.3			
	161	2672	9.17	4.6			
	172	2496	8.57	4.9			
	184	2335	8.01	5.3			
	197	2186	7.50	3.8			
	188	2289	7.86	3.6			
	201	2133	7.32	3.9			
	216	1991	6.83	4.1			
	231	1860	6.38	4.4			
	247	1740	5.97	4.7			
	264	1629	5.59	5.1			
	46	9386	32.21	0.81	<b>ER 137</b>	4P	625
	50	8561	29.38	0.89	<b>ERF 137</b>	4P	655
	54	7963	27.33	0.92			
	49	8706	29.88	★	<b>ER 137</b>	4P	635
	61	7064	24.24	★			
	64	6732	23.10	★	<b>ERF 137</b>	4P	655
	67	6425	22.05	★			
76	5626	19.31					
81	5284	18.13					
86	4972	17.07					
92	4688	16.09					
97	4428	15.20					
103	4188	14.37					
112	3829	13.14					
120	3572	12.26					
129	3339	11.46					
138	3125	10.73					
147	2930	10.06					
166	2585	8.87					
177	2431	8.34					
191	2248	7.71					
233	1844	6.33					
281	1530	5.25					
95	4524	15.53		<b>ER 107</b>	4P	535	
102	4232	14.52	0.90				
108	3966	13.61	0.97	<b>ERF 107</b>	4P	540	
115	3723	12.78	1.03				
123	3501	12.02	1.10				
130	3296	11.31	1.17				
138	3107	10.66	1.24				
147	2932	10.06	1.31				
164	2619	8.99	1.39				
186	2314	7.94	1.56				
223	1923	6.60	1.22				
237	1813	6.22	1.47				
251	1711	5.87	1.56				
281	1528	5.24	1.65				
470	915	3.14	1.80	<b>R 101</b>	4P	430	
514	836	2.87	0.86				
559	769	2.64	0.94	<b>RF101</b>	4P	445	
633	679	2.33	1.03				
709	606	2.08	1.16				
793	542	1.86	1.20				
883	487	1.67	1.29				
934	460	1.58	1.38				
1039	414	1.42	1.38				
<b>55</b>	25	21085	59.41	0.81	<b>ER 167</b>	4P	1260
	26	19962	56.25	0.86			
					<b>ERF 167</b>	4P	1270

# ER SERIES REDUCTOR

Power (kW)	Output speed (r/min)	Output torque (N · m)	Ratio (i)	Service factor (fB)	Type	Motor pole	Weight (kg)	
<b>55</b>	28	18923	53.32	0.90	<b>ER 167</b>	4P	1260	
	33	15837	44.63	1.08		<b>ERF 167</b>	4P	1270
	35	14973	42.19	1.14				
	37	14176	39.94	1.21				
	39	13438	37.86	1.27				
	42	12382	34.89	1.38				
	46	11518	32.45	1.48				
	49	10733	30.24	1.59				
	52	10016	28.22	1.71				
	56	9358	26.37	1.83				
	60	8754	24.67	1.95				
	64	8196	23.09	2.1				
		59	8905	25.09	1.49	<b>ER 167</b>	4P	1260
		67	7792	21.95	1.59		<b>ERF 167</b>	4P
		76	6881	19.39	2.2			
		86	6122	17.25	2.3			
		101	5194	14.64	3.3			
		126	4185	11.79	3.9			
		32	16241	45.76	0.80	<b>ER 147</b>	4P	930
		35	15204	42.84	0.81		<b>ERF 147</b>	4P
		37	14254	40.16	0.87			
		42	12573	35.43	0.98			
		44	11825	33.32	1.04			
		41	12947	36.48	0.95			
		43	12101	34.10	1.02			
		46	11328	31.92	1.09			
		49	10620	29.92	1.16			
		56	9368	26.40	1.24			
		60	8811	24.83	1.28			
		74	7060	19.89	1.61	<b>ER 147</b>	4P	930
		79	6672	18.80	1.59		<b>ERF 147</b>	4P
		83	6316	17.80	1.58			
	92	5686	16.02	2.2				
	108	4865	13.71	2.5				
	114	4606	12.98	2.7				
	120	4366	12.30	2.8				
	151	3487	9.83	3.5				
	161	3254	9.17	3.8				
	173	3041	8.57	4.1				
	185	2844	8.01	4.3				
	197	2663	7.50	3.1				
	188	2788	7.86	3.0				
	202	2598	7.32	3.2				
	217	2425	6.83	3.4				
	232	2266	6.38	3.6				
	248	2119	5.97	3.9				
	265	1984	5.59	4.2				
	77	6853	19.31	1.11	<b>ER 137</b>	4P	750	
	82	6436	18.13	1.18		<b>ERF 137</b>	4P	770
	87	6057	17.07	1.25				
	92	5711	16.09	1.33				
	97	5393	15.20	1.41				
	103	5102	14.37	1.49				
	113	4664	13.14	1.63				
	121	4351	12.26	1.75				
	129	4067	11.46	1.87				
	138	3807	10.73	2.0				
	147	3569	10.06	2.1				
	167	3148	8.87	2.4				
	177	2961	8.34	2.5				
	192	2738	7.71	1.8				
	234	2246	6.33	2.2				
	282	1863	5.25	2.3				
<b>75</b>	33	21596	44.63	0.80	<b>ER 167</b>	4P	1344	
	35	20418	42.19	0.84		<b>ERF 167</b>	4P	1354
	37	19331	39.94	0.88				



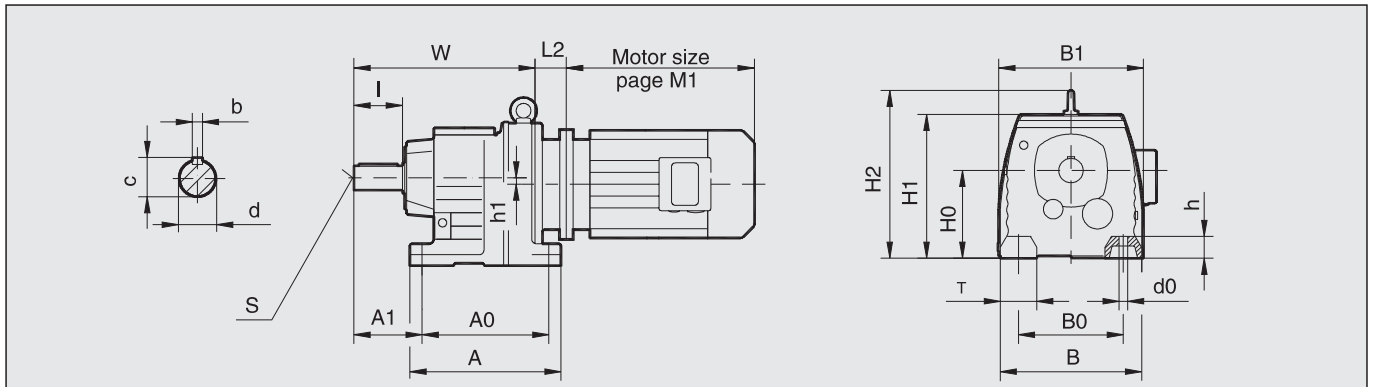
# ER SERIES REDUCTOR

Power (kW)	Output speed (r/min)	Output torque (N · m)	Ratio (i)	Service factor (fB)	Type	Motor pole	Weight (kg)	
<b>75</b>	39	18324	37.86	0.93	<b>ER 167</b>	4P	1344	
	42	16884	34.89	1.01				
	46	15706	32.45	1.09	<b>ERF 167</b>	4P	1354	
	49	14636	30.24	1.17				
	52	13658	28.22	1.25	<b>ER 167</b>	4P	1344	
	56	12762	26.37	1.34				
	60	11937	24.67	1.43				
	64	11176	23.09	1.53				
	59	12143	25.09	1.10				
	67	10625	21.95	1.16				
	76	9383	19.39	1.62				
	86	8348	17.25	1.71				
	101	7083	14.64	2.4	<b>ERF 167</b>	4P	1354	
	126	5707	11.79	2.8				
	142	5060	10.45	3.2				
	<b>90</b>	49	14482	29.92	0.85	<b>ER 147</b>	4P	1014
		56	12774	26.40	0.91			
		60	12015	24.83	0.94	<b>ERF 147</b>	4P	1024
		74	9627	19.89	1.18			
		79	9098	18.80	1.17	<b>ER 147</b>	4P	1014
		83	8612	17.80	1.16			
		92	7753	16.02	1.59			
		108	6635	13.71	1.80			
		114	6281	12.98	1.97			
		120	5954	12.30	2.1			
		151	4756	9.83	2.6			
		161	4438	9.17	2.8			
		173	4147	8.57	3.0			
		185	3879	8.01	3.2			
		197	3631	7.50	2.3			
		188	3802	7.86	2.2			
		202	3543	7.32	2.3			
217		3307	6.83	2.5				
232		3090	6.38	2.7				
248		2890	5.97	2.9				
265		2706	5.59	3.0				
<b>90</b>		37	23197	39.94	0.80	<b>ER 167</b>	4P	1402
		39	21989	37.86	0.80			
		42	20261	34.89	0.84	<b>ERF 167</b>	4P	1412
		46	18848	32.45	0.91			
		49	17563	30.24	0.97	<b>ER 167</b>	4P	1402
		52	16389	28.22	1.04			
		56	15314	26.37	1.12			
		60	14324	24.67	1.19			
		64	13411	23.09	1.28			
		59	14571	25.09	0.91			
		67	12750	21.95	0.97			
	76	11260	19.39	1.35				
	86	10018	17.25	1.42				
	101	8500	14.64	2.0	<b>ERF 167</b>	4P	1412	
	126	6849	11.79	2.4				
	142	6071	10.45	2.7				
	<b>90</b>	74	11552	19.89	0.99	<b>ER 147</b>	4P	1072
		79	10917	18.80	0.97			
		83	10335	17.80	0.97	<b>ERF 147</b>	4P	1082
		92	9304	16.02	1.33			
		108	7961	13.71	1.50			
		114	7537	12.98	1.64			
		120	7145	12.30	1.73			
		151	5707	9.83	2.2			
		161	5325	9.17	2.3			
		173	4976	8.57	2.5			
		185	4654	8.01	2.7			
		197	4358	7.50	1.9			
		188	4563	7.86	1.8			

# ER SERIES REDUCTOR

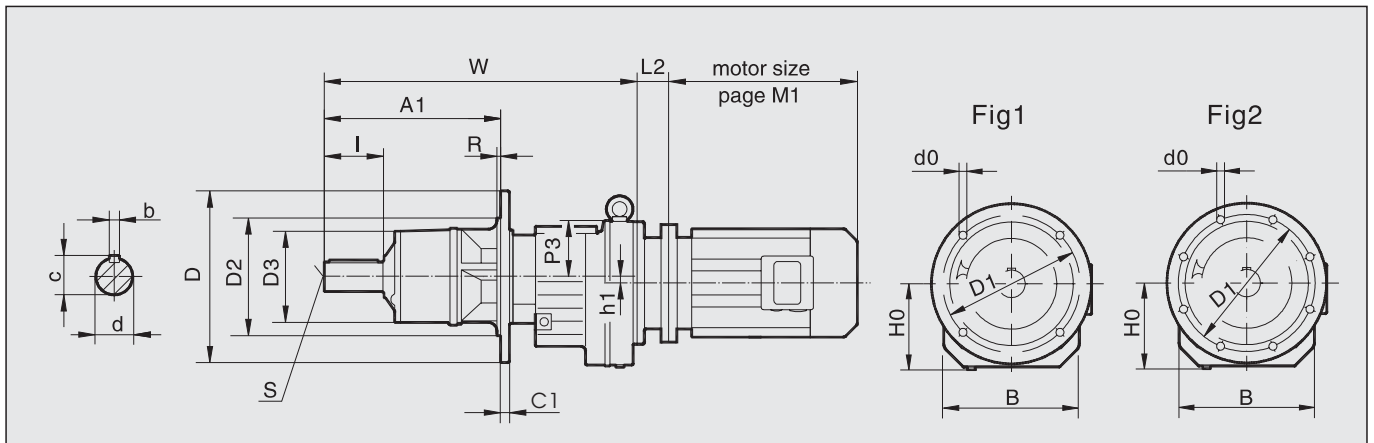
Power (kW)	Output speed (r/min)	Output torque (N · m)	Ratio (i)	Service factor (fB)	Type	Motor pole	Weight (kg)
<b>90</b>	202	4252	7.32	1.9	<b>ER 147</b> <b>ERF 147</b>	4P 4P	1072 1082
	217	3968	6.83	2.1			
	232	3707	6.38	2.2			
	248	3468	5.97	2.4			
	265	3247	5.59	2.5			
<b>110</b>	52	20031	28.22	0.85	<b>ER 167</b> <b>ERF167</b>	4P 4P	1740 1750
	56	18717	26.37	0.91			
	60	17507	24.67	0.98			
	64	16391	23.09	1.04			
	76	13762	19.39	1.10			
	86	12244	17.25	1.16			
	101	10389	14.64	1.65			
	126	8370	11.79	1.93			
	142	7421	10.45	2.2			
	<b>132</b>	64	19669	23.09			
76		16514	19.39	0.92			
86		14693	17.25	0.97			
101		12467	14.64	1.37			
126		10045	11.79	1.61			
142		8905	10.45	1.81			
<b>160</b>		101	15111	14.64	1.13	<b>ER 167</b> <b>ERF 167</b>	4P 4P
	126	12175	11.79	1.33			
	142	10794	10.45	1.50			

# ER SERIES REDUCTOR



Type	Installation dimensions					Shaft dimensions					Overall dimensions									
	H0	A0	B0	A1	d0	d	l	b	c	S	W	A	B	B1	H1	H2	T	h	h1	L2
ER17	75	110	110	58	9	20k6	40	6	22.5	M6	176	131	135	140	134	-	25	12	0	
ER27	90	130	110	75	9	25k6	50	8	28	M10	192	152	145	151	147	-	32	18	4.4	
ER37	90	130	110	75	9	25k6	50	8	28	M10	201	160	145	161	151	-	35	18	10	
ER47	115	165	135	90	13.5	30k6	60	8	33	M10	241	195	170	178	187	-	42	24	15	
ER57	115	165	135	100	13.5	35k6	70	10	38	M12	260.5	200	190	210	187	-	55	24	14.1	
ER67	130	195	150	100	14	35k6	70	10	38	M12	280	235	210	215	212	243	60	30	20.1	
ER77	140	205	170	115	17.5	40k6	80	12	43	M16	300	245	235	240	228	269	60	30	18.2	
ER87	180	260	215	140	17.5	50k6	100	14	53.5	M16	372	310	290	297	295	345	75	45	10.6	
ER97	225	310	250	160	22	60m6	120	18	64	M20	440	365	350	358	368	418	90	55	10.7	
ER107	250	370	290	185	26	70m6	140	20	74.5	M20	502	440	405	410	408	475	110	65	21.3	
ER137	315	410	340	220	33	90m6	170	25	95	M24	589	490	455	463	495	580	110	70	25	
ER147	355	500	380	260	39	110m6	210	28	116	M24	695	590	530	540	565	635	150	80	37.5	
ER167	425	580	500	270	39	120m6	210	32	127	M24	790	670	660	670	675	749	160	100	45	

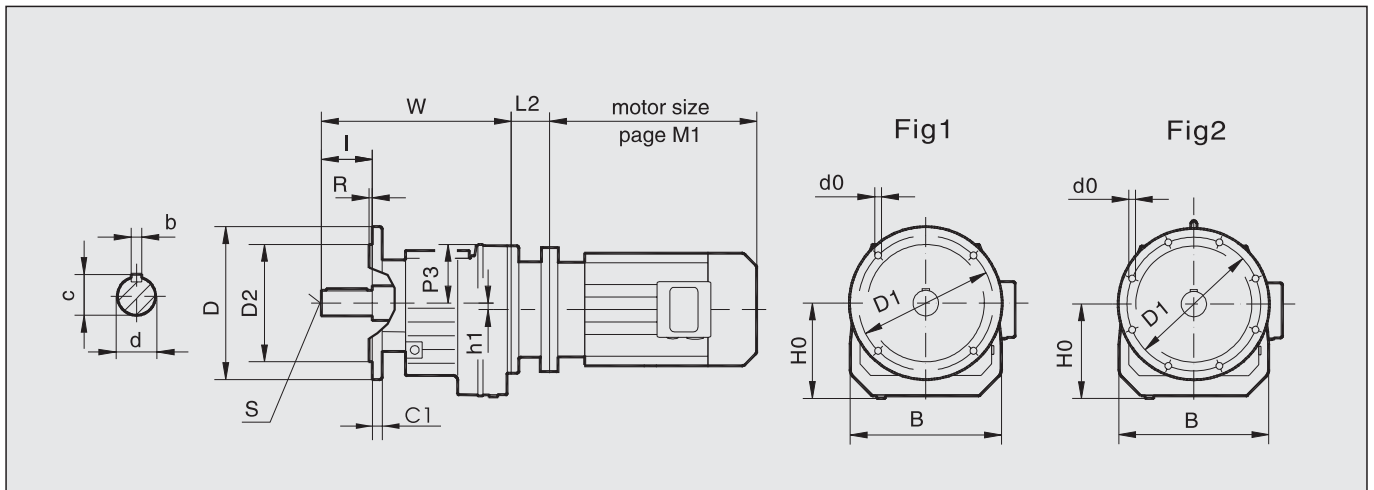
page 5



Type	Installation dimensions					Shaft dimensions					Overall dimensions									
	D	D2	D3	Fig	D1	C1	A1	R	d0	d	l	c	b	S	W	H0	B	P3	h1	L2
ERM57	250	180j6	135	1	215	15	230	4	13.5	35k6	70	38	10	M12	422.5	121	205	72	14.1	
ERM67	300	230j6	144	1	265	16	240	4	13.5	40k6	80	43	12	M16	459	134	215	82	20.1	
ERM77	350	250h6	170	1	300	18	300	5	17.5	50k6	100	53.5	14	M16	527	144	240	88	18.2	
ERM87	350	250h6	186	1	300	18	360	5	17.5	60m6	120	64	18	M20	639	184	300	115	10.6	
ERM97	450	350h6	214	2	400	22	420	5	17.5	70m6	140	74.5	20	M20	745	230	358	144	10.7	
ERM107	550	450h6	232	2	500	25	500	5	17.5	80m6	170	85	22	M20	871	255	420	158	21.3	
ERM137	550	450h6	253	2	500	25	600	5	17.5	100m6	210	106	28	M24	1024	320	458	180	25	
ERM147	660	550h6	274	2	600	28	660	6	22	110m6	210	116	28	M24	1154	358	540	197	37.5	
ERM167	660	550h6	290	2	600	28	730	6	22	125m6	210	134	32	M24	1313	430	670	250	45	

page 5

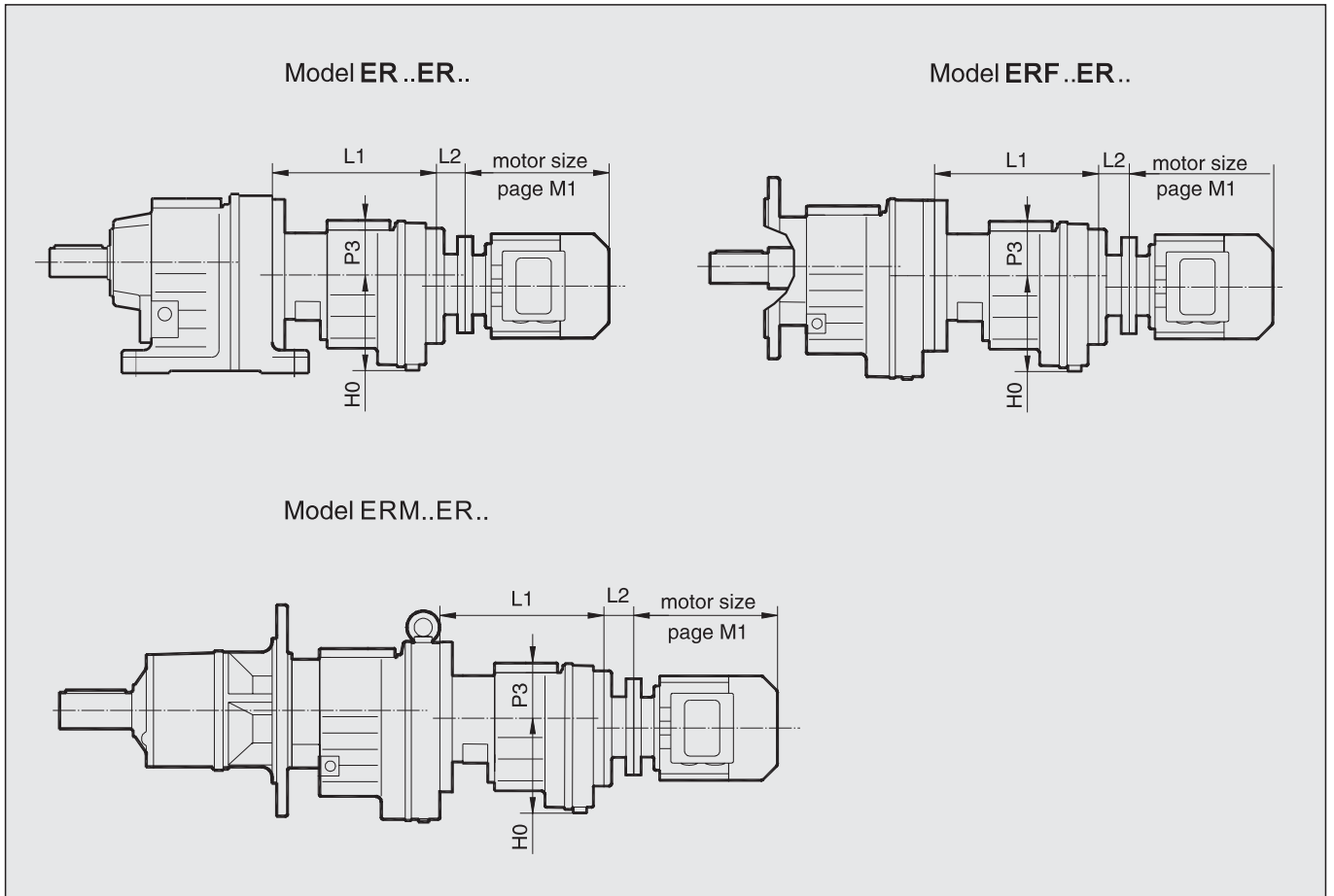
# ER SERIES REDUCTOR



Type	Installation dimensions							Shaft dimensions					Overall dimensions					
	D	Fig	D1	R	d0	D2	C1	d	I	c	b	S	W	H0	B	P3	h1	L2
ERF 17	120	1	100	3	6.5	80j6	8	20k6	40	22.5	6	M6	176	76	130	59	0	
	140	1	115	3	8.5	95j6	8											
ERF 27	120	1	100	3	6.5	80j6	8	25k6	50	28	8	M10	197.5	92	144	57	4.4	
	140	1	115	3	8.5	95j6	8											
ERF 37	160	1	130	3.5	9	110j6	10	25k6	50	28	8	M10	201	94	161	61	10	
	200	1	165	3.5	11	130j6	12											
ERF 47	160	1	130	3.5	9	110j6	10	30k6	60	33	8	M10	241	118	181	72	15	
	200	1	165	3.5	11	130j6	12											
ERF 57	160	1	130	3.5	9	110j6	10	35k6	70	38	10	M12	259.5	121	205	72	14.1	
	200	1	165	3.5	11	130j6	12											
ERF 67	200	1	165	3.5	11	130j6	12	35k6	70	38	10	M12	280	134	215	82	20.1	
	250	1	215	4	13.5	180j6	15											
ERF 77	250	1	215	4	13.5	180j6	15	40k6	80	43	12	M16	300	144	240	88	18.2	
	300	1	265	4	13.5	230j6	16											
ERF 87	300	1	265	4	13.5	230j6	16	50k6	100	53.5	14	M16	372	184	300	115	10.6	
	350	1	300	5	17.5	250h6	18											
ERF 97	350	1	300	5	17.5	250h6	18	60m6	120	64	18	M20	440	230	358	144	10.7	
	450	2	400	5	17.5	350h6	22											
ERF 107	350	1	300	5	17.5	250h6	20	70m6	140	74.5	20	M20	502	255	420	158	21.3	
	450	2	400	5	17.5	350h6	22											
ERF 137	450	2	400	5	17.5	350h6	22	90m6	170	95	25	M24	589	320	458	180	25	
	550	2	500	5	17.5	450h6	25											
ERF 147	450	2	400	5	17.5	350h6	22	110m6	210	116	28	M24	695	358	540	197	37.5	
	550	2	500	5	17.5	450h6	25											
ERF 167	550	2	500	5	17.5	450h6	25	120m6	210	127	32	M24	790	430	670	250	45	
	660	2	600	6	22	550h6	28											

page 5

# ER SERIES REDUCTOR

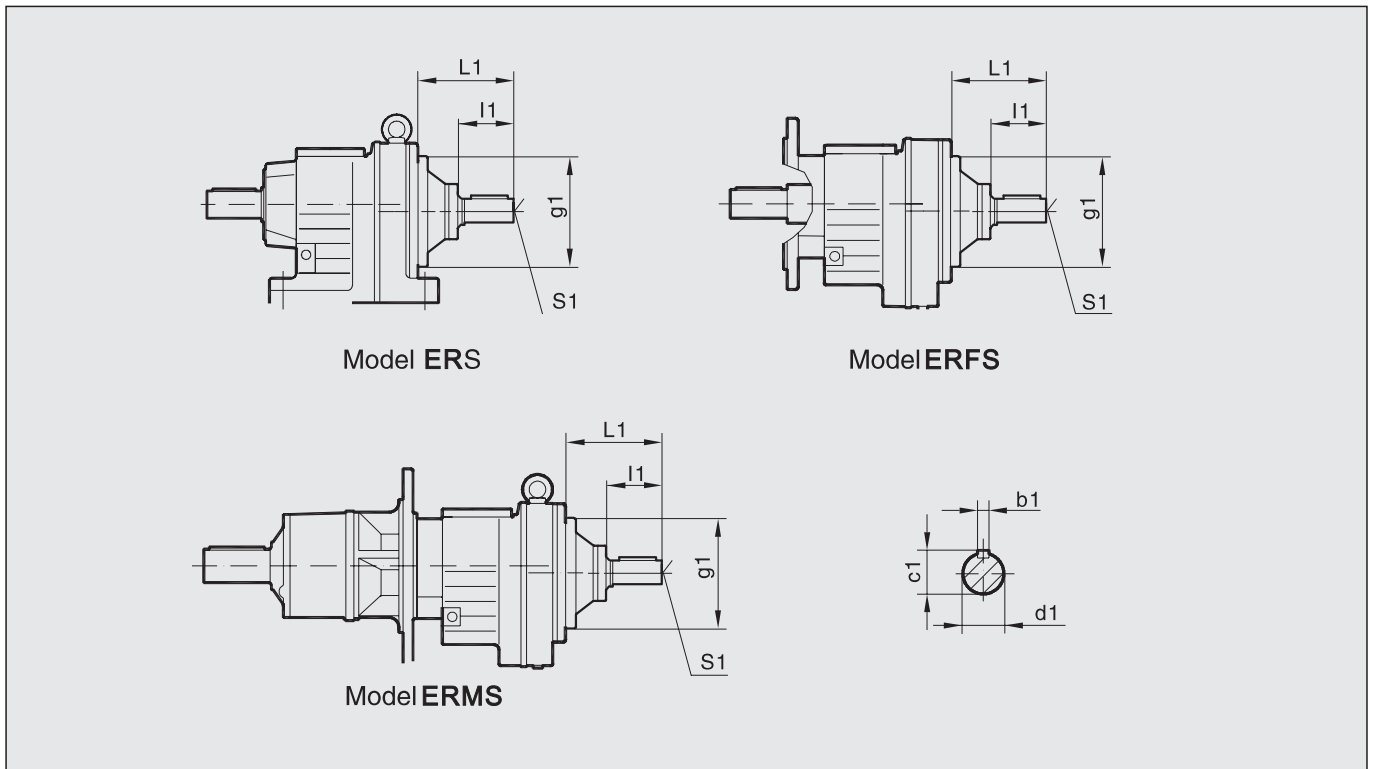


Type	L1	P3	H0	L2
ER..27ER17	145.5	59	76	page 5
ER..37ER17	145.5	59	76	
ER..47ER37	150.5	61	94	
ER..57ER37	150.5	61	94	
ER..67ER37	150.5	61	94	
ER..77ER37	151	61	94	
ER..87ER57	189	72	121	

Type	L1	P3	H0	L2
ER..97ER57	190	72	121	page 5
ER..107ER77	227	88	144	
ER..137ER77	227	88	144	
ER..147ER77	227	88	144	
ER..147ER87	274	115	184	
ER..167ER97	323	144	230	
ER..167ER107	361	158	255	

Note: The other size refers to page 83–84

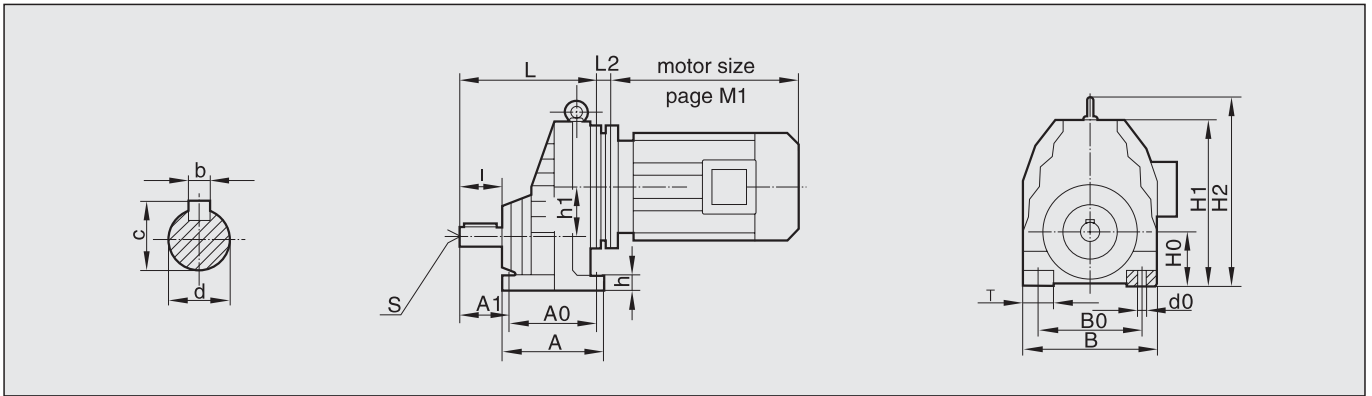
# ER SERIES REDUCTOR



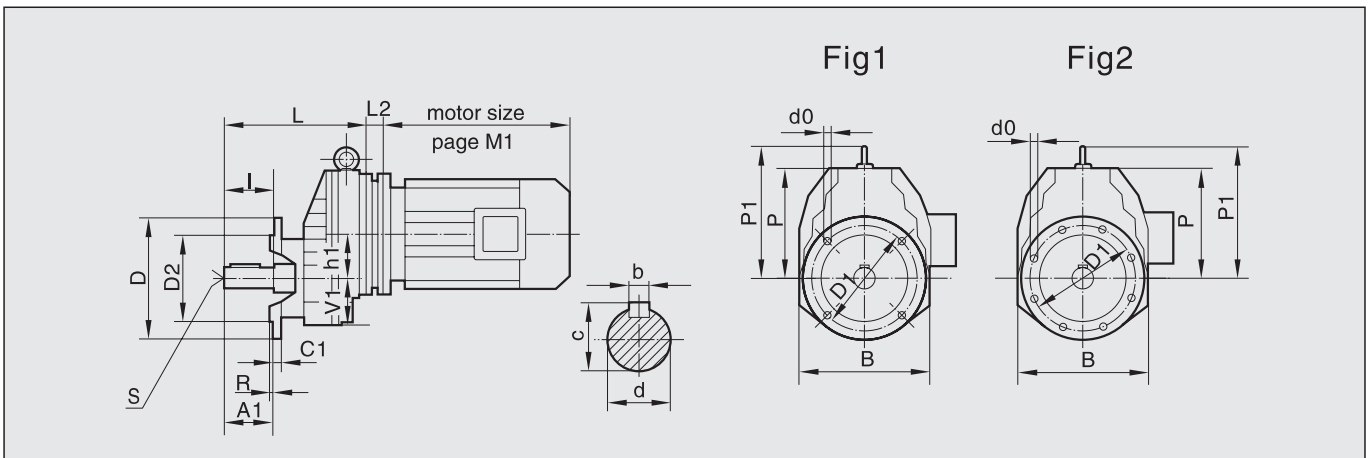
Type	d1	L1	l1	S1	c1	b1	g1
<b>ER..S27</b>	16k6	115	40	M5	18	5	120
<b>ER..S37</b>							
<b>ER..S47</b>	19k6	120	40	M6	21.5	6	160
<b>ER..S57</b>							
<b>ER..S67</b>							
<b>ER..S77</b>	24k6	140	50	M8	27	8	200
<b>ER..S87</b>	28k6	180	60	M10	31	8	250
<b>ER..S97</b>	38k6	220	80	M12	41	10	300
<b>ER..S107</b>	42k6	270	110	M16	45	12	350
<b>ER..S137</b>	55m6	307	110	M20	59	16	400
<b>ER..S147</b>	55m6	297	110	M20	59	16	450
<b>ER..S167</b>	70m6	374	140	M20	74.5	20	550

Note: The other size refers to page 83–84

# ER SERIES REDUCTOR

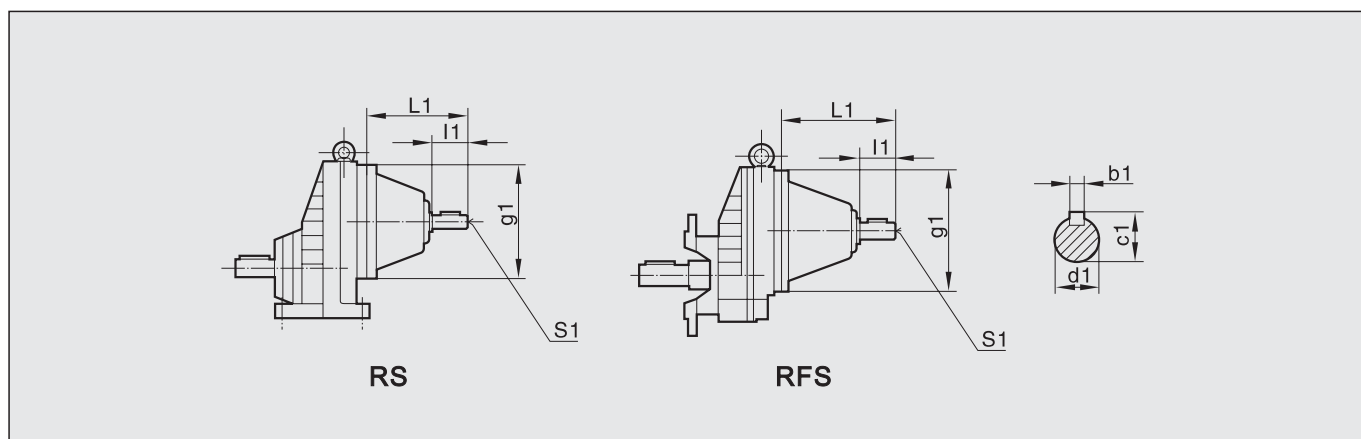


Type	Installation dimensions					Shaft dimensions						Overall dimensions							
	H0	A0	B0	A1	d0	d	b	c	l	S	L	A	B	H1	T	h	h1	H2	L2
R41	63	110	125	56	11	20k6	6	22.5	40	M6	174	137	156	202	31	18	53	-	page 6
R61	80	120	135	75	14	25k6	8	28	50	M10	201	150	170	226	35	20	60	-	
R71	90	150	170	85	18	30k6	8	33	60	M10	227	190	204	271	50	25	72	-	
R81	100	160	215	110	18	40k6	12	43	80	M16	269	206	266	332	60	30	93	372	
R91	112	185	250	140	22	50k6	14	53.5	100	M16	316	240	320	393	70	35	116	440	
R101	140	210	310	152	22	60m6	18	64	120	M20	364	260	360	459	90	45	133	506	



Type	Installation dimensions							Shaft dimensions						Overall dimensions							
	D	Fig	D1	D2	A1	R	d0	d	b	c	l	S	V1	P	P1	C1	L	h1	B	L2	
RF41	160	1	130	110h7	40	3.5	9	20k6	6	22.5	40	M6	62	139	-	10	174	53	162	page 6	
	200		165	130h7			11									12					
RF61	200	1	165	130h7	50	3.5	9	25k6	8	28	50	M10	70	147	-	12	201	60	175		
	250		215	180h7			14									13					
RF71	200	1	165	130h7	60	3.5	11	30k6	8	33	60	M10	78	181	221	12	227	72	210		
	250		215	180h7			14									15					
RF81	250	1	215	180h7	80	4	14	40k6	12	43	80	M16	98	232	272	15	269	93	272		
	300		265	230h7			14									16					
RF91	300	2	265	230h7	100	4	14	50k6	14	53.5	100	M16	118	281	328	16	316	116	328		
	350		300	250h7			18									18					
RF101	350	2	300	250h7	120	5	18	60m6	18	64	120	M20	135	319	366	18	364	133	370		
	450		400	350h7			18									22					

# ER SERIES REDUCTOR



Type	d1	L1	l1	S1	C1	b1	g1
<b>R..S41</b>	19k6	120	40	M6	21.5	6	160
<b>R..S61</b>	19k6	120	40	M6	21.5	6	160
<b>R..S71</b>	24k6	140	50	M8	27	8	200
<b>R..S81</b>	28k6	180	60	M10	31	8	250
<b>R..S91</b>	38k6	220	80	M12	41	10	300
<b>R..S101</b>	42k6	270	110	M16	45	12	350

Note: The other size refers to page 87